



DETAIL AND SUBMITTAL SHEET

SAMSON PRODUCTS
INCORPORATED
JL INDUSTRIES
INCORPORATED

6285 Randolph Street
Commerce, CA 90040
Phone: 323-726-9070
FAX: 323-726-9068

DISTRIBUTOR: _____ CONTRACTOR: _____

MODEL NUMBER: _____ PROJECT: _____

QUANTITY: _____ APPROVED BY: _____

ARCHITECT: _____ DATE: _____

JL MID-WEST WAREHOUSE 4450 W. 78TH STREET CIRCLE BLOOMINGTON, MN 55435 PHONE: 952-835-6850 FAX: 952-835-2218
JL EAST COAST 316 B WILLOW ROAD, LANCASTER, PA 17601 PHONE: 1-800-554-6077
THOMAS ENTERPRISES 5758 CORPORATION CIRCLE, FORT MEYERS, FL 33905 PHONE: 941-693-7500 FAX: 941-693-7501

FIRE EXTINGUISHER HOSE AND VALVE CABINETS

CROWNLINE

Samson's Crowline series provide recessed and semi-recessed cabinets in three trim and door materials: steel, aluminum and stainless steel respectively. Ideal for schools, hospitals, hotels, motels, apartments, supermarkets, etc. These cabinets come with a great variety of combination metal-glass door styles and sizes to suit most all portable fire extinguishers, valve and hose racks.

Crowline cabinets come standard with a continuous hinge. These flush cabinet doors consist of a formed design with 5/8" nominal thickness. The doorstop therefore extends 5/8" into the tub. The standard door hardware for non-break glass doors consists of zinc plated pull handles and roller catch. A cylinder lock with flexible cam and pull handle is standard for SAF-T-LOK. All cabinets feature a 1 3/4" face width on the trim and door. All semi-recessed cabinets with a 2 1/2" RT have trims with a rolled edge construction. The surface mount stainless steel trims also have rolled edge construction. All other trim configurations are square edged.

HOSE CABINET KNOCKOUTS FOR 1 1/2" OR 2 1/2" DIAMETER PIPE.

Knockouts (K.O.'s) provided centered, one side, top and bottom-other side offset, top and bottom. All 6" K.O.'s offset both sides 2 1/2" x 4". Offset is for semi-recessed applications (see chart below). Trimless K.O.'s centered only - no offset. For surface mount cabinets knockouts are provided only upon application when exact location is known. (P.O.A.)

Model VE-1 features a shelf 12" from the bottom of the tub. The area below the shelf houses a 2 1/2" angle valve. Area above the shelf houses fire extinguisher. This model is also available without shelf when specified.

1. AVAILABLE DOOR STYLES (SELECT ONE)

- F FULL GLASS
- G FULL WITH SAF-T-LOK GLASS
- D DUO PANEL
- E TOP DUO PANEL WITH SAF-T-LOK
- A CENTER DUO PANEL WITH SAF-T-LOK
- S21 SOLID
- L22 SOLID WITH LOCK
- B SOLID WITH GLASS INSERT AND SAF-T-LOK
- V CONTEMPORARY V
- W CONTEMPORARY V WITH SAF-T-LOK

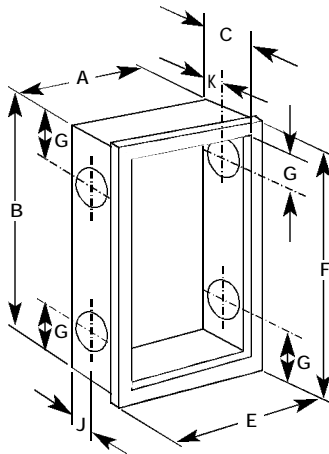
2. AVAILABLE DOOR GLAZING (SELECT ONE)

- 10 DS (DOUBLE STRENGTH) GLASS
- 11 PLATE GLASS
- 12 1/4" CLEAR ACRYLIC
- 13 CLEAR WIRE GLASS
- 15 BRONZE GLASS
- 16 GRAY GLASS
- 17 CLEAR TEMP. GLASS
- 18 LAMINATED SAFETY GLASS
- 20 SS (SINGLE STRENGTH) GLASS
- 30 .060 CLEAR ACRYLIC

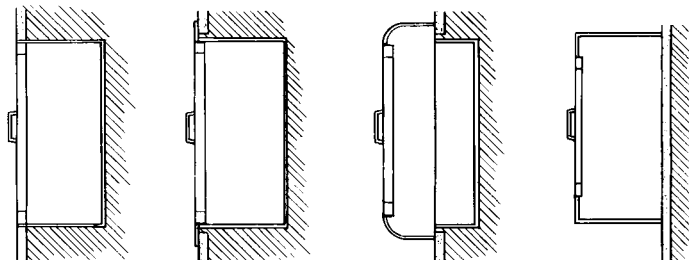
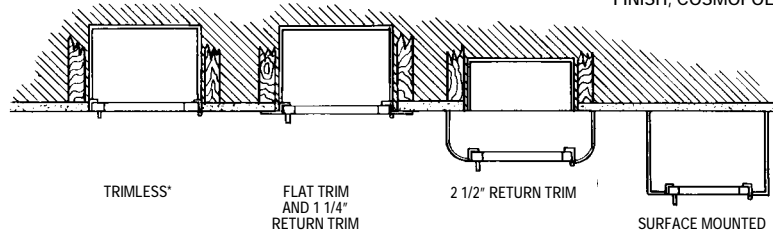
3. OPTIONS (SELECT ANY)

- ALUMINUM TUB, MILL FINISH
- BREAK GLASS HAMMER AND CHAIN
- COLOR ANODIZED DOOR AND TRIM; ACADEMY
- COLOR EPOXY TUB (RED OR BLACK)
- COLOR EPOXY DOOR AND TRIM (RED OR BLACK); AMBASSADOR
- FE LETTERS IN BLACK, RED OR WHITE
- FUTURA "FIRE" HANDLE
- STAINLESS TUB, #4 SATIN FINISH
- STAINLESS DOOR AND TRIM, #32 POLISHED FINISH, COSMOPOLITAN

DIMENSION AND KNOCKOUT DETAIL



EXPLODED TOP AND SIDE VIEWS REFER TO DIMENSIONS TABLE



*RECOMMENDED FOR PLASTER WALLS ONLY, WHERE THE WALL CAN BE FINISHED FLUSH WITH THE CABINET AFTER ITS INSTALLATION.

HOSE VALVE CABINET DIMENSIONS

DIMENSIONS IN INCHES

TRIM & DOOR MAT. & SERIES #			TRIM STYLE	TUB I.D.			FRAME O.D.		WALL OPENING			KO LOCATIONS <small>ALL IN INCHES</small>			RECOMMENDED HOSE RACK EXTINGUISHERS
STEEL	ALUM.	STAINLESS STEEL		A	B	C	E	F	W	H	D	J	G	K	
6014	-	-	TRIMLESS	24"	30"	6"	24 1/4"	30 1/4"	24 1/2"	30 1/2"	6 1/4"	2 1/2"	4"	2 1/2"	Cosmic 5, 6, 10 1-1/2" hose rack unit 100 ft hose (172 F- 1-100NST)
6015	6025	6035	FLAT TRIM	24"	30"	6"	27 3/8"	33 3/8"	25"	31"	5 3/4"	2 1/2"	4"	2 1/2"	
6016	6026	6036	1 1/4"	24"	30"	6"	27 3/8"	33 3/8"	25"	31"	4 7/8"	2 1/2"	4"	2 1/2"	
6017	6027	6037	2 1/2"	24"	30"	6"	27 3/8"	33 3/8"	25"	31"	*3 5/8"	2 1/2"	4"	2 1/2"	
6013	6023	6039	SURF. MTD.	27 3/16"	33 3/16"	6 1/2"	27 3/8"	33 3/8"	-	-	-	CONSULT FACTORY			
6214	-	-	TRIMLESS	24"	34 3/4"	6"	24 1/4"	35"	24 1/2"	35 1/4"	6 1/4"	2 1/2"	4"	2 1/2"	Cosmic 5, 6, 10 1-1/2" hose rack unit 100 ft hose (172 F- 1-100NST)
6215	6225	6235	FLAT TRIM	24"	34 3/4"	6"	27 3/8"	38 1/8"	25"	35 3/4"	5 3/4"	2 1/2"	4"	2 1/2"	
6216	6226	6236	1 1/4"	24"	34 3/4"	6"	27 3/8"	38 1/8"	25"	35 3/4"	4 7/8"	2 1/2"	4"	2 1/2"	
6217	6227	6237	2 1/2"	24"	34 3/4"	6"	27 3/8"	38 1/8"	25"	35 3/4"	*3 5/8"	2 1/2"	4"	2 1/2"	
6213	6223	6239	SURF. MTD.	27 3/16"	37 15/16"	6 1/2"	27 3/8"	38 1/8"	-	-	-	CONSULT FACTORY			
6114	-	-	TRIMLESS	24"	30"	8"	24 1/4"	30 1/4"	24 1/2"	30 1/2"	8 1/4"	4"	4"	4"	2-1/2" x 1-1/2" hose rack unit 100 ft hose (172 F-1- 100NST)
6115	6125	6135	FLAT TRIM	24"	30"	8"	27 3/8"	33 3/8"	25"	31"	7 3/4"	4"	4"	2 1/2"	
6116	6126	6136	1 1/4"	24"	30"	8"	27 3/8"	33 3/8"	25"	31"	6 7/8"	4"	4"	2 1/2"	
6117	6127	6137	2 1/2"	24"	30"	8"	27 3/8"	33 3/8"	25"	31"	*5 5/8"	4"	4"	2 1/2"	
6113	6123	6139	SURF. MTD.	27 3/16"	33 3/16"	8 1/2"	27 3/8"	33 3/8"	-	-	-	CONSULT FACTORY			
6414	-	-	TRIMLESS	24"	34 3/4"	8"	24 1/4"	35"	24 1/2"	35 1/4"	8 1/4"	4"	4"	4"	2-1/2" x 1-1/2" hose rack unit 100 ft hose (172 F-1- 100NST)
6415	6425	6435	FLAT TRIM	24"	34 3/4"	8"	27 3/8"	38 1/8"	25"	35 3/4"	7 3/4"	4"	4"	2 1/2"	
6416	6426	6436	1 1/4"	24"	34 3/4"	8"	27 3/8"	38 1/8"	25"	35 3/4"	6 7/8"	4"	4"	2 1/2"	
6417	6427	6437	2 1/2"	24"	34 3/4"	8"	27 3/8"	38 1/8"	25"	35 3/4"	*5 5/8"	4"	4"	2 1/2"	
6413	6423	6439	SURF. MTD.	27 3/16"	37 15/16"	8 1/2"	27 3/8"	38 1/8"	-	-	-	CONSULT FACTORY			
6614	-	-	TRIMLESS	24"	38 3/4"	8"	24 1/4"	39"	24 1/2"	39 1/4"	8 1/4"	4"	4"	4"	2-1/2" x 1-1/2" hose rack unit 100 ft hose (172 F-1-100NST) 2 1/2" fire dept. valve
6615	6625	6635	FLAT TRIM	24"	38 3/4"	8"	27 3/8"	42 1/8"	25"	39 3/4"	7 3/4"	4"	4"	2 1/2"	
6616	6626	6636	1 1/4"	24"	38 3/4"	8"	27 3/8"	42 1/8"	25"	39 3/4"	6 7/8"	4"	4"	2 1/2"	
6617	6627	6637	2 1/2"	24"	38 3/4"	8"	27 3/8"	42 1/8"	25"	39 3/4"	*5 5/8"	4"	4"	2 1/2"	
6613	6623	6639	SURF. MTD.	27 3/16"	41 15/16"	8 1/2"	27 3/8"	42 1/8"	-	-	-	CONSULT FACTORY			
6314	-	-	TRIMLESS	30"	30"	8"	30 1/4"	30 1/4"	30 1/2"	30 1/2"	8 1/4"	4"	4"	4"	1 1/2" hose rack unit with hose with maximum size extinguishers 20 lb cosmic 10 sentinel
6315	6325	6335	FLAT TRIM	30"	30"	8"	33 3/8"	33 3/8"	31"	31"	7 3/4"	4"	4"	2 1/2"	
6316	6326	6336	1 1/4"	30"	30"	8"	33 3/8"	33 3/8"	31"	31"	6 7/8"	4"	4"	2 1/2"	
6317	6327	6337	2 1/2"	30"	30"	8"	33 3/8"	33 3/8"	31"	31"	*5 5/8"	4"	4"	2 1/2"	
6313	6323	6339	SURF. MTD.	33 3/16"	33 3/16"	8 1/2"	33 3/8"	33 3/8"	-	-	-	CONSULT FACTORY			
6514	-	-	TRIMLESS	32 3/4"	34 3/4"	8"	33"	35"	33 1/4"	35 1/4"	8 1/4"	4"	4"	4"	1 1/2" or 2 1/2" hose rack unit with hose with maximum size ext. 2 1/2 gal. 20 lb cosmic 10 sentinel
6515	6525	6535	FLAT TRIM	32 3/4"	34 3/4"	8"	36 1/8"	38 1/8"	33 3/4"	35 3/4"	7 3/4"	4"	4"	2 1/2"	
6516	6526	6536	1 1/4"	32 3/4"	34 3/4"	8"	36 1/8"	38 1/8"	33 3/4"	35 3/4"	6 7/8"	4"	4"	2 1/2"	
6517	6527	6537	2 1/2"	32 3/4"	34 3/4"	8"	36 1/8"	38 1/8"	33 3/4"	35 3/4"	*5 5/8"	4"	4"	2 1/2"	
6513	6523	6539	SURF. MTD.	35 15/16"	37 15/16"	8 1/2"	36 1/8"	38 1/8"	-	-	-	CONSULT FACTORY			
7214	-	-	TRIMLESS	32 3/4"	38 3/4"	8"	33"	39"	33 1/4"	39 1/4"	8 1/4"	4"	4"	4"	1 1/2" or 2 1/2" x 1 1/2" hose rack unit with hose with max. size ext. 2 1/2 gal. 20 lb cosmic 10 sentinel
7215	7225	7235	FLAT TRIM	32 3/4"	38 3/4"	8"	36 1/8"	42 1/8"	33 3/4"	39 3/4"	7 3/4"	4"	4"	2 1/2"	
7216	7226	7236	1 1/4"	32 3/4"	38 3/4"	8"	36 1/8"	42 1/8"	33 3/4"	39 3/4"	6 7/8"	4"	4"	2 1/2"	
7217	7227	7237	2 1/2"	32 3/4"	38 3/4"	8"	36 1/8"	42 1/8"	33 3/4"	39 3/4"	*5 5/8"	4"	4"	2 1/2"	
7213	7223	7239	SURF. MTD.	35 15/16"	41 15/16"	8 1/2"	36 1/8"	42 1/8"	-	-	-	CONSULT FACTORY			
8514	-	-	TRIMLESS	18"	18"	8"	18 1/4"	18 1/4"	18 1/2"	18 1/2"	8 1/4"	4"	9"	4"	2 1/2" fire department valve
8515	8525	8535	FLAT TRIM	18"	18"	8"	21 3/8"	21 3/8"	19"	19"	7 3/4"	4"	9"	2 1/2"	
8516	8526	8536	1 1/4"	18"	18"	8"	21 3/8"	21 3/8"	19"	19"	6 7/8"	4"	9"	2 1/2"	
8517	8527	8537	2 1/2"	18"	18"	8"	21 3/8"	21 3/8"	19"	19"	*5 5/8"	4"	9"	2 1/2"	
8513	8523	8539	SURF. MTD.	21 3/16"	21 3/16"	8 1/2"	21 3/8"	21 3/8"	-	-	-	CONSULT FACTORY			
8714	-	-	TRIMLESS	26"	26"	8"	26 1/4"	26 1/4"	26 1/2"	26 1/2"	8 1/4"	4"	13"	4"	2 1/2" fire department valve
8715	8725	8735	FLAT TRIM	26"	26"	8"	29 3/8"	29 3/8"	27"	27"	7 3/4"	4"	13"	2 1/2"	
8716	8726	8736	1 1/4"	26"	26"	8"	29 3/8"	29 3/8"	27"	27"	6 7/8"	4"	13"	2 1/2"	
8717	8727	8737	2 1/2"	26"	26"	8"	29 3/8"	29 3/8"	27"	27"	*5 5/8"	4"	13"	2 1/2"	
8713	8723	8739	SURF. MTD.	29 3/16"	29 3/16"	8 1/2"	29 3/8"	29 3/8"	-	-	-	CONSULT FACTORY			
8014	-	-	TRIMLESS	16"	40"	9"	16 1/4"	40 1/4"	16 1/2"	40 1/2"	9 1/4"	4 1/4"	6"	4 1/4"	2 1/2" fire department valve and 2 1/2 gal. 20 lb cosmic 10 sentinel
8015	8025	8035	FLAT TRIM	16"	40"	9"	19 3/8"	43 3/8"	17"	41"	9"	4 1/4"	6"	4 1/4"	
8016	8026	8036	1 1/4"	16"	40"	9"	19 3/8"	43 3/8"	17"	41"	8 1/8"	4 1/4"	6"	4 1/4"	
8017	8027	8037	2 1/2"	16"	40"	9"	19 3/8"	43 3/8"	17"	41"	*6 5/8"	4 1/4"	6"	4 1/4"	
8013	8023	8039	SURF. MTD.	19 3/16"	43 3/16"	9 1/2"	19 3/8"	43 3/8"	-	-	-	CONSULT FACTORY			
8414	-	-	TRIMLESS	18"	18"	10"	18 1/4"	18 1/4"	18 1/2"	18 1/2"	10 1/4"	5"	9"	5"	2 1/2" fire department valve
8415	8425	8435	FLAT TRIM	18"	18"	10"	21 3/8"	21 3/8"	19"	19"	9 3/4"	5"	9"	5"	
8416	8426	8436	1 1/4"	18"	18"	10"	21 3/8"	21 3/8"	19"	19"	8 7/8"	5"	9"	5"	
8417	8427	8437	2 1/2"	18"	18"	10"	21 3/8"	21 3/8"	19"	19"	*7 5/8"	5"	9"	5"	
8413	8423	8439	SURF. MTD.	21 3/16"	21 3/16"	10 1/2"	21 3/8"	21 3/8"	-	-	-	CONSULT FACTORY			
8614	-	-	TRIMLESS	26"	26"	10"	26 1/4"	26 1/4"	26 1/2"	26 1/2"	10 1/4"	5"	13"	5"	2 1/2" fire department valve
8615	8625	8635	FLAT TRIM	26"	26"	10"	29 3/8"	29 3/8"	27"	27"	9 3/4"	5"	13"	5"	
8616	8626	8636	1 1/4"	26"	26"	10"	29 3/8"	29 3/8"	27"	27"	8 7/8"	5"	13"	5"	
8617	8627	8637	2 1/2"	26"	26"	10"	29 3/8"	29 3/8"	27"	27"	*7 5/8"	5"	13"	5"	
8613	8623	8639	SURF. MTD.	29 3/16"	29 3/16"	10 1/2"	29 3/8"	29 3/8"	-	-	-	CONSULT FACTORY			

*ADD 5/8" FOR CABINETS WITH ALUMINUM FRAMES

9" TUB OPTION AVAILABLE ON SERIES 6100, 6400, 6600, 6300, 6500, AND 7200 FOR ALL TRIM STYLES, CONSULT FACTORY.