

DETAIL AND SUBMITTAL SHEET

DISTRIBUTOR: \_\_\_\_\_ CONTRACTOR: \_\_\_\_\_

MODEL NUMBER: \_\_\_\_\_ PROJECT: \_\_\_\_\_

JL INDUSTRIES  
INCORPORATED

QUANTITY: \_\_\_\_\_ APPROVED BY: \_\_\_\_\_

4450 W. 78th Street Circle  
Bloomington, MN 55435  
Phone: 952-835-6850  
FAX: 952-835-2218

ARCHITECT: \_\_\_\_\_ DATE: \_\_\_\_\_

JL WEST COAST 6285 RANDOLPH STREET, COMMERCE, CA 90040 PHONE: 323-726-9070 FAX: 323-726-9068  
JL SOUTH EAST 5758 CORPORATION CIRCLE, FT. MEYERS, FL PHONE: 941-693-7500 FAX: 941-693-7501

**CAVALIER FIRE EXTINGUISHER CABINETS**

**CAVALIER SERIES**

The Cavalier Series is characterized by its bronze or brass finishes. These cabinets are ideal for banks, government buildings and other high profile areas where you are coordinating with hardware finishes.

**SPECIFICATIONS**

The Cavalier Series features either a brass or bronze door and frame. The tub is white epoxy coated cold rolled steel. The Cavalier's standard bronze finish is a U.S. 10 satin clear coated finish, standard brass finish is a U.S. 3 polished coated finish. U.S. 9 bright bronze clear coated or U.S. 10B dark oxidized bronze oil rubbed are among the options (see options below.)

All J.L. Cavalier cabinets shown here meet the A.D.A. projection criteria with either the standard pull or the flush pull.

**1. AVAILABLE DOOR STYLES (SELECT ONE)**

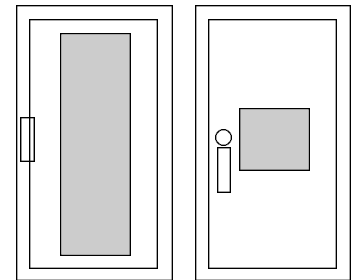
- F \_\_\_\_\_ FULL GLASS
- G \_\_\_\_\_ FULL WITH SAF-T-LOK GLASS
- D \_\_\_\_\_ DUO PANEL
- E \_\_\_\_\_ DUO PANEL WITH SAF-T-LOK
- S21 \_\_\_\_\_ SOLID
- L22 \_\_\_\_\_ SOLID WITH LOCK
- B \_\_\_\_\_ SOLID WITH GLASS INSERT AND SAF-T-LOK
- V \_\_\_\_\_ CONTEMPORARY V
- W \_\_\_\_\_ CONTEMPORARY V WITH SAF-T-LOK

**3. OPTIONS (SELECT ANY)**

- \_\_\_\_\_ BRASS DOOR AND TRIM, #4 SATIN FINISH
- \_\_\_\_\_ BRONZE DOOR AND TRIM, #9 BRIGHT POLISHED FINISH
- \_\_\_\_\_ BRONZE DOOR AND TRIM, #10B DARK OXIDIZED OIL RUBBED FINISH
- \_\_\_\_\_ COLOR EPOXY TUB (RED OR BLACK)
- \_\_\_\_\_ FE LETTERS IN BLACK, RED OR WHITE
- \_\_\_\_\_ FUTURA "FIRE" HANDLE
- \_\_\_\_\_ FLUSH PULL HANDLE

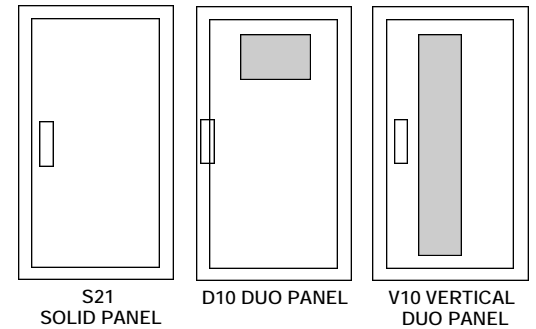
**2. AVAILABLE DOOR GLAZING (SELECT ONE)**

- 10 \_\_\_\_\_ DS (DOUBLE STRENGTH) GLASS
- 11 \_\_\_\_\_ PLATE GLASS
- 12 \_\_\_\_\_ CLEAR ACRYLIC
- 13 \_\_\_\_\_ CLEAR WIRE GLASS
- 15 \_\_\_\_\_ BRONZE GLASS
- 16 \_\_\_\_\_ GRAY GLASS
- 17 \_\_\_\_\_ CLEAR TEMP. GLASS
- 18 \_\_\_\_\_ LAMINATED SAFETY GLASS
- 20 \_\_\_\_\_ SS (SINGLE STRENGTH) GLASS
- 30 \_\_\_\_\_ .060" CLEAR ACRYLIC



F10 FULL GLASS

B20 GLASS WINDOW WITH SAF-T-LOK




S21 SOLID PANEL


D10 DUO PANEL

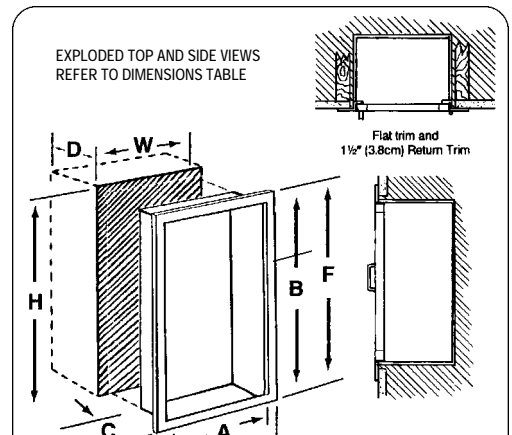
V10 VERTICAL DUO PANEL



CAVALIER BRASS 1056V10 



CAVALIER BRONZE 1045V10 



 ALL CAVALIER SERIES MEETS A.D.A. PROJECTION CRITERIA.



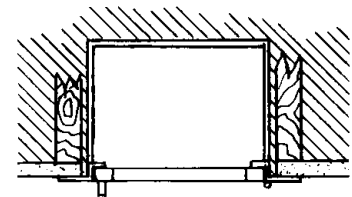
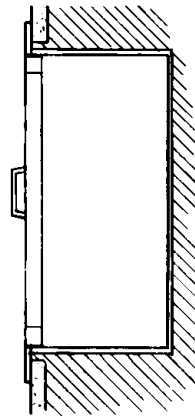
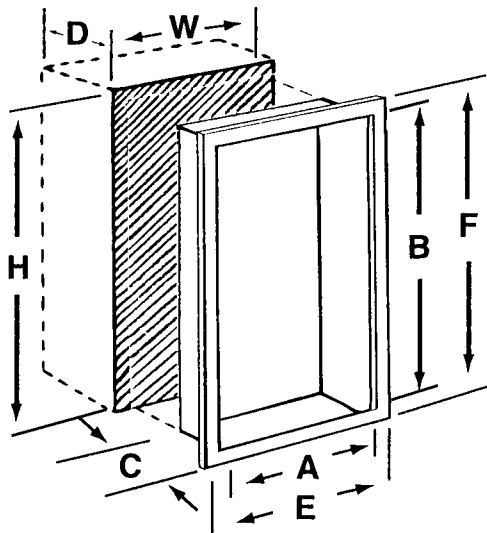
CAVALIER  
BRASS  
1056V10



CAVALIER  
BRONZE  
1045V10



EXPLODED TOP AND SIDE VIEWS  
REFER TO DIMENSIONS TABLE



Flat trim and  
1/2" (3.8cm) Return Trim

DIMENSIONS IN INCHES

| TRIM & DOOR MATERIAL & SERIES # |         | TRIM<br>STYLE | TUB I.D. |     |        | *FRAME O.D. |         | WALL OPENING<br>NON-RATED |     |        | ACCOMMODATES FOLLOWING<br>J.L. EXTINGUISHERS  |
|---------------------------------|---------|---------------|----------|-----|--------|-------------|---------|---------------------------|-----|--------|---|
| BRONZE                          | BRASS   |               | A        | B   | C      | E           | F       | W                         | H   | D      |   |
| ___1845                         | ___1855 | FLAT TRIM     | 10 1/2"  | 24" | 5 1/2" | 13 7/8"     | 27 3/8" | 11 1/2"                   | 25" | 5 1/2" | Cosmic 2 1/2E, 5E, 5X<br>Galaxy 2 1/2, 5, 5 1/2<br>Mercury 2 1/2, 5                             |
| ___1846                         | ___1856 | 1 1/2" RT     | 10 1/2"  | 24" | 5 1/2" | 13 7/8"     | 27 3/8" | 11 1/2"                   | 25" | 4"     |   |
| ___1847                         | ___1857 | 3" RT         | 10 1/2"  | 24" | 5 1/2" | 13 7/8"     | 27 3/8" | 11 1/2"                   | 25" | 2 5/8" |   |
| ___1045                         | ___1055 | FLAT TRIM     | 10 1/2"  | 24" | 6"     | 13 7/8"     | 27 3/8" | 11 1/2"                   | 25" | 6"     | Cosmic 2 1/2E, 5E, 5X, 6E, 10E<br>Galaxy 2 1/2, 5, 5 1/2, 6, 10<br>Sentinel 5, Mercury 2 1/2, 5 |
| ___1046                         | ___1056 | 1 1/2" RT     | 10 1/2"  | 24" | 6"     | 13 7/8"     | 27 3/8" | 11 1/2"                   | 25" | 4 1/2" |   |
| ___1047                         | ___1057 | 3" RT         | 10 1/2"  | 24" | 6"     | 13 7/8"     | 27 3/8" | 11 1/2"                   | 25" | 3 1/8" |   |
| ___2045                         | ___2055 | FLAT TRIM     | 12"      | 27" | 7 3/4" | 15 3/8"     | 30 3/8" | 13"                       | 28" | 7 3/4" |   |
| ___2046                         | ___2056 | 1 1/4" RT     | 12"      | 27" | 7 3/4" | 15 3/8"     | 30 3/8" | 13"                       | 28" | 6 5/8" | Any Cosmic, Any Galaxy, **Grenadier P,<br>Sentinel 5, 10, Mercury 2 1/2, 5, Saturn 15, 25       |

\* WHEN USING GRENADE P WITH FIRE-FX™ OPTION CABINET, THE EXTINGUISHER MUST BE MOUNTED ON THE BACK OF THE CABINET TUB.