

DIMENSIONS IN INCHES

QTY	TRIM & DOOR & SERIES #		TUB I.D.			FRAME O.D.		WALL OPENING: NON-RATED			ACCOMMODATES FOLLOWING EXTINGUISHERS
	Aluminum	Trim Style	A	B	C	E	F	W	H	D	
	8125*	Flat Trim	9"	18"	5 1/2"	12 3/8"	21 3/8"	10"	19"	5 1/2"	Cosmic 2 1/2E, 5E, 5X Galaxy 2 1/2, 5, 5 1/2 Mercury 2 1/2, 5
	8126*	1 1/2"	9"	18"	5 1/2"	12 3/8"	21 3/8"	10"	19"	4"	
	8127*	2 1/2"	9"	18"	5 1/2"	12 3/8"	21 3/8"	10"	19"	3 1/8"	
	8123	Surf. Mtd.	12 3/16"	21 3/16"	6"	12 3/8"	21 3/8"	-	-	-	Cosmic 2 1/2E, 5E, 5X Galaxy 2 1/2, 5, 5 1/2 Mercury 2 1/2, 5
	1825*	Flat Trim	10 1/2"	24"	5 1/2"	13 7/8"	27 3/8"	11 1/2"	25"	5 1/2"	
	1826*	1 1/2"	10 1/2"	24"	5 1/2"	13 7/8"	27 3/8"	11 1/2"	25"	4"	
	1827*	3"	10 1/2"	24"	5 1/2"	13 7/8"	27 3/8"	11 1/2"	25"	2 5/8"	
	1822*	4"	10 1/2"	24"	5 1/2"	13 7/8"	27 3/8"	11 1/2"	25"	2 1/4"	
	1828	4 1/2"	10 1/2"	24"	5 1/2"	13 7/8"	27 3/8"	11 1/2"	25"	1 3/4"	
	1024*	Trimless	10 1/2"	24"	6"	10 3/4"	24 1/4"	11"	24 1/2"	6 1/4"	
	1025*	Flat Trim	10 1/2"	24"	6"	13 7/8"	27 3/8"	11 1/2"	25"	6"	Cosmic 2 1/2E, 5E, 5X, 6E, 10E Galaxy 2 1/2, 5, 5 1/2, 6, 10 Sentinel 5 Mercury 2 1/2, 5
	1026*	1 1/2"	10 1/2"	24"	6"	13 7/8"	27 3/8"	11 1/2"	25"	4 1/2"	
	1027*	3"	10 1/2"	24"	6"	13 7/8"	27 3/8"	11 1/2"	25"	3 1/8"	
	1022*	4"	10 1/2"	24"	6"	13 7/8"	27 3/8"	11 1/2"	25"	2 3/4"	
	1028	4 1/2"	10 1/2"	24"	6"	13 7/8"	27 3/8"	11 1/2"	25"	2 1/4"	
	1023	Surf. Mtd.	13 11/16"	27 3/16"	6 1/2"	13 7/8"	27 3/8"	-	-	-	
	2024*	Trimless	12"	27"	7 3/4"	12 1/4"	27 1/4"	12 1/2"	27 1/2"	8"	
	2025*	Flat Trim	12"	27"	7 3/4"	15 3/8"	30 3/8"	13"	28"	7 7/8"	
	2026*	1 1/4"	12"	27"	7 3/4"	15 3/8"	30 3/8"	13"	28"	6 3/4"	
	2027*	2 1/2"	12"	27"	7 3/4"	15 3/8"	30 3/8"	13"	28"	6 1/8"	
	2022*	4"	12"	27"	7 3/4"	15 3/8"	30 3/8"	13"	28"	4 5/8"	
	2028	4 1/2"	12"	27"	7 3/4"	15 3/8"	30 3/8"	13"	28"	4 1/8"	
	2023	Surf. Mtd.	15 3/16"	30 3/16"	8 1/4"	15 3/8"	30 3/8"	-	-	-	Any Cosmic, Any Galaxy Grenadier P, Sentinel 5, 10 Any Mercury Any Saturn
	3025*	Flat Trim	16"	32"	7 3/4"	19 3/8"	35 3/8"	17"	33"	7 7/8"	
	3026*	1 1/4"	16"	32"	7 3/4"	19 3/8"	35 3/8"	17"	33"	6 3/4"	
	3027*	2 1/2"	16"	32"	7 3/4"	19 3/8"	35 3/8"	17"	33"	6 1/8"	
	3022*	4"	16"	32"	7 3/4"	19 3/8"	35 3/8"	17"	33"	4 5/8"	
	3028	4 1/2"	16"	32"	7 3/4"	19 3/8"	35 3/8"	17"	33"	4 1/8"	
	3023	Surf. Mtd.	19 3/16"	35 3/16"	8 1/4"	19 3/8"	35 3/8"	-	-	-	
	4025*	Flat Trim	20"	27"	7 3/4"	23 3/8"	30 3/8"	21"	28"	7 7/8"	
	4026*	1 1/4"	20"	27"	7 3/4"	23 3/8"	30 3/8"	21"	28"	6 3/4"	
	4027*	2 1/2"	20"	27"	7 3/4"	23 3/8"	30 3/8"	21"	28"	6 1/8"	
	4022*	4"	20"	27"	7 3/4"	23 3/8"	30 3/8"	21"	28"	4 5/8"	
	4028	4 1/2"	20"	27"	7 3/4"	23 3/8"	30 3/8"	21"	28"	4 1/8"	
	4023	Surf. Mtd.	23 3/16"	30 3/16"	8 1/4"	23 3/8"	30 3/8"	-	-	-	

DESCRIPTION

Door and Trim Construction: No. 180 clear anodized aluminum. Flush cabinet doors with a 5/8" door stop are attached by a continuous hinge and equipped with zinc-plated handle and roller catch.

Trim Style and Depth: *Recessed* - 3/8" flat trim or trimless. *Semi-Recessed* - 1 1/4", 1 1/2" Square Edge or 2 1/2", 3", 4", 4 1/2" Rolled Edge. *Surface-mount* has a square edge or optional rolled edge upon request. 1 3/4" face trim on frame and door.

Tub: Constructed of cold rolled steel with white powder-coat finish standard. Surface-mounted models have clear anodized aluminum tubs.

STEP 1

SELECT MODEL NUMBER AND QUANTITY (REFER TO CHART TO LEFT FOR MODEL NUMBER)

- A. Determine Trim Style according to wall depth.
- B. Determine Tub I.D. according to size most suited for extinguisher and wall opening.

NOTE: If wall is fire rated, ask for separate Fire-FX™ recessed or semi-recessed cabinet detail and submittal form.

STEP 2

SELECT DOOR STYLE (SELECT ONE) (SHOWN ON NEXT PAGE)

- F** Full glass
- G** Full glass with **SAF-T-LOK™**
- D** Duo panel
- E** Duo panel with **SAF-T-LOK™**
- S21** Solid with pull handle
- L22** Solid with lock
- B20** Solid with glass insert and **SAF-T-LOK™**
- V** Contemporary V
- W** Contemporary V with **SAF-T-LOK™**

STEP 3

AVAILABLE DOOR GLAZING (SELECT ONE)

- 10** Clear Acrylic
- 13** Clear Wire Glass
- 15** Bronze Acrylic
- 16** Gray Acrylic
- 17** Clear Tempered Glass
- 18** Laminated Safety Glass

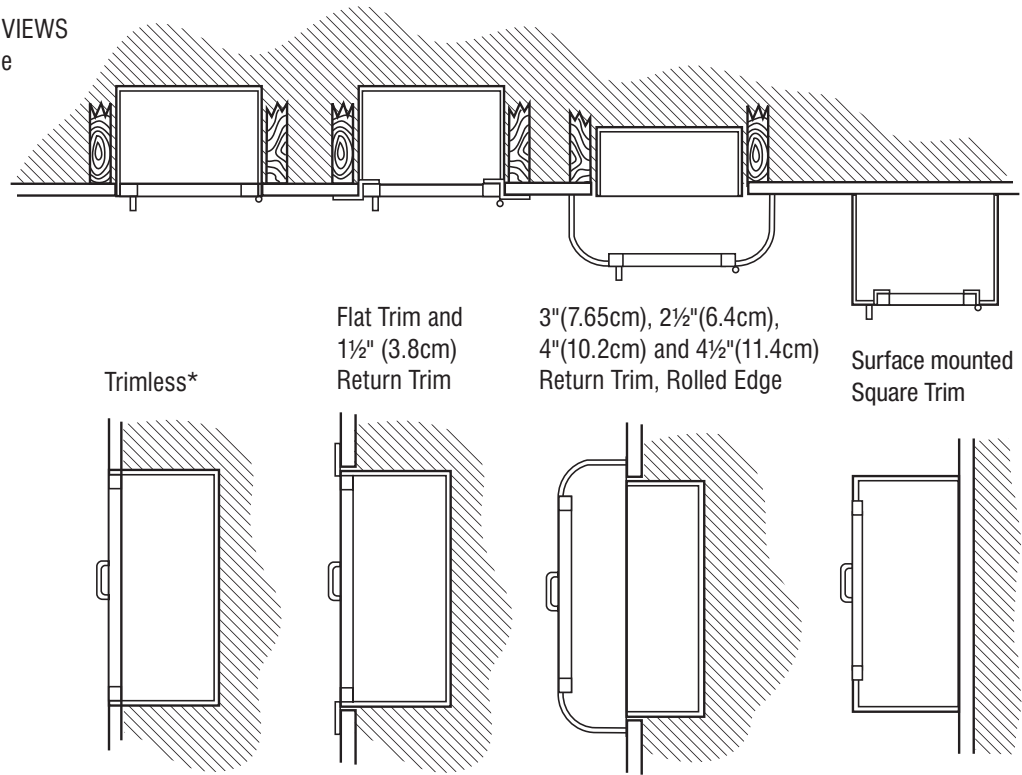
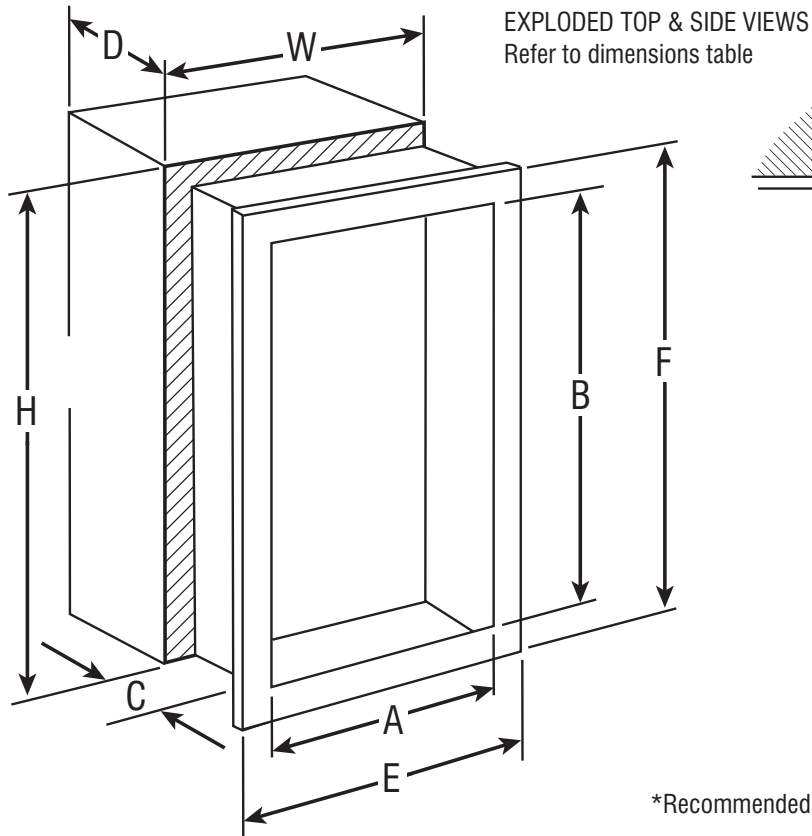
STEP 4

OPTIONAL FEATURES AT ADDED COST (SELECT ANY)

- Color Epoxy Tub - Red
- Color Epoxy Tub - Black
- Aluminum Tub - #180 Clear Anod.
- Anodized Door and Trim - Bronze
- Futura "Fire" Handle
- Flush Pull Handle
- Commander Alarm
- FE Letters - Black Vertical
- FE Letters - Red Vertical
- FE Letters - White Vertical
- FE Letters - Black Horizontal
- FE Letters - Red Horizontal
- FE Letters - White Horizontal
- Brigadier Alarm
- Strobe Alarm
- Decals - Black Vertical
- Decals - Red Vertical
- Decals - White Vertical
- Decals - Black Horizontal
- Decals - Red Horizontal
- Decals - White Horizontal
- Etched Lettering in Glass
- Engraved Lettering

* MEETS A.D.A. PROJECTION CRITERIA

 ACTIVAR INC. www.activar.com Construction Products Group	Distributor:	Quantity:
	Contractor:	Approved By:
	Model Number:	Architect:
	Project:	Date:



*Recommended for plaster walls only, where the wall can be finished flush with the cabinet after its installation



ACTIVAR
INC. www.activar.com
Construction Products Group

