

**DIMENSIONS IN INCHES**

QTY	TRIM & DOOR & SERIES #		TUB I.D.			FRAME O.D.		WALL OPENING: FX OPTION			ACCOMMODATES FOLLOWING EXTINGUISHERS
	Aluminum	Trim Style	A	B	C	E	F	W	H	D	
	8125*	Flat Trim	9"	18"	5 1/2"	12 3/8"	21 3/8"	11"	20 1/8"	6 3/8"	Cosmic 2 1/2E, 5E, 5X Galaxy 2 1/2, 5, 5 1/2 Mercury 2 1/2, 5
	8126*	1 1/2"	9"	18"	5 1/2"	12 3/8"	21 3/8"	11"	20 1/8"	4 7/8"	
	8127*	2 1/2"	9"	18"	5 1/2"	12 3/8"	21 3/8"	11"	20 1/8"	4"	
	1825*	Flat Trim	10 1/2"	24"	5 1/2"	13 7/8"	27 3/8"	12 1/2"	26 1/8"	6 3/8"	
	1826*	1 1/2"	10 1/2"	24"	5 1/2"	13 7/8"	27 3/8"	12 1/2"	26 1/8"	4 7/8"	
	1827*	3"	10 1/2"	24"	5 1/2"	13 7/8"	27 3/8"	12 1/2"	26 1/8"	3 1/2"	Cosmic 2 1/2E, 5E, 5X Galaxy 2 1/2, 5, 5 1/2 Mercury 2 1/2, 5
	1822*	4"	10 1/2"	24"	5 1/2"	13 7/8"	27 3/8"	12 1/2"	26 1/8"	3 1/8"	
	1828	4 1/2"	10 1/2"	24"	5 1/2"	13 7/8"	27 3/8"	12 1/2"	26 1/8"	2 5/8"	
	1025*	Flat Trim	10 1/2"	24"	6"	13 7/8"	27 3/8"	12 1/2"	26 1/8"	6 7/8"	
	1026*	1 1/2"	10 1/2"	24"	6"	13 7/8"	27 3/8"	12 1/2"	26 1/8"	5 3/8"	
	1027*	3"	10 1/2"	24"	6"	13 7/8"	27 3/8"	12 1/2"	26 1/8"	4"	Cosmic 2 1/2E, 5E, 5X, 6E, 10E Galaxy 2 1/2, 5, 5 1/2, 6, 10 Sentinel 5 Mercury 2 1/2, 5
	1022*	4"	10 1/2"	24"	6"	13 7/8"	27 3/8"	12 1/2"	26 1/8"	3 5/8"	
	1028	4 1/2"	10 1/2"	24"	6"	13 7/8"	27 3/8"	12 1/2"	26 1/8"	3 1/8"	
	2025*	Flat Trim	12"	27"	7 3/4"	15 3/8"	30 3/8"	14"	29 1/8"	8 1/2"	
	2026*	1 1/4"	12"	27"	7 3/4"	15 3/8"	30 3/8"	14"	29 1/8"	7 3/8"	
	2027*	2 1/2"	12"	27"	7 3/4"	15 3/8"	30 3/8"	14"	29 1/8"	7"	Any Cosmic, Any Galaxy Grenadier P, Sentinel 5, 10 Any Mercury Any Saturn
	2022*	4"	12"	27"	7 3/4"	15 3/8"	30 3/8"	14"	29 1/8"	5 1/4"	
	2028	4 1/2"	12"	27"	7 3/4"	15 3/8"	30 3/8"	14"	29 1/8"	4 3/4"	
	3025*	Flat Trim	16"	32"	7 3/4"	19 3/8"	35 3/8"	18"	34 1/8"	8 1/2"	
	3026*	1 1/4"	16"	32"	7 3/4"	19 3/8"	35 3/8"	18"	34 1/8"	7 3/8"	
	3027*	2 1/2"	16"	32"	7 3/4"	19 3/8"	35 3/8"	18"	34 1/8"	7"	Any Cosmic, Any Galaxy Grenadier P, Sentinel 5, 10, 15 Any Mercury Any Saturn
	3022*	4"	16"	32"	7 3/4"	19 3/8"	35 3/8"	18"	34 1/8"	5 1/4"	
	3028	4 1/2"	16"	32"	7 3/4"	19 3/8"	35 3/8"	18"	34 1/8"	4 3/4"	
	4025*	Flat Trim	20"	27"	7 3/4"	23 3/8"	30 3/8"	22"	29 1/8"	8 1/2"	
	4026*	1 1/4"	20"	27"	7 3/4"	23 3/8"	30 3/8"	22"	29 1/8"	7 3/8"	
	4027*	2 1/2"	20"	27"	7 3/4"	23 3/8"	30 3/8"	22"	29 1/8"	7"	Two each of: Any Cosmic Any Galaxy Grenadier P, Sentinel 5, 10 Any Mercury Any Saturn
	4022*	4"	20"	27"	7 3/4"	23 3/8"	30 3/8"	22"	29 1/8"	5 1/4"	
	4028	4 1/2"	20"	27"	7 3/4"	23 3/8"	30 3/8"	22"	29 1/8"	4 3/4"	



\* MEETS A.D.A. PROJECTION CRITERIA

NOTE: When using Grenadier P with the FX option, the extinguisher must be mounted on the back of the cabinet tub.

**DESCRIPTION**

**Door and Trim Construction:** No. 180 clear anodized aluminum. Flush cabinet doors with a 5/8" door stop are attached by a continuous hinge and equipped with zinc-plated handle and roller catch.

**Trim Style and Depth:** *Recessed* - 3/8" flat trim or trimless. *Semi-Recessed* - 1 1/4", 1 1/2" Square Edge or 2 1/2", 3", 4", 4 1/2" Rolled Edge. *Surface-mount* has a square edge or optional rolled edge upon request. 1 3/4" face trim on frame and door.

**Tub:** Constructed of cold rolled steel with white powder-coat finish standard.

**STEP 1**

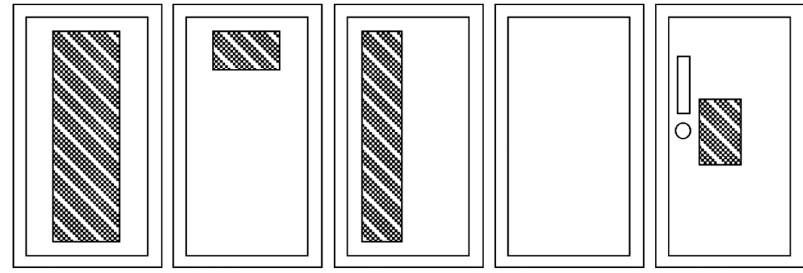
**SELECT MODEL NUMBER AND QUANTITY** (REFER TO CHART AT LEFT FOR MODEL NUMBER).

- A. Determine Trim Style according to wall depth.
- B. Determine Tub I.D. according to size most suited for extinguisher and wall opening.

**STEP 2**

**SELECT DOOR STYLE** (SELECT ONE)

- |   |  |
|---|--|
| <input type="checkbox"/> <b>F</b> Full Glass w/pull Handle        | <input type="checkbox"/> <b>W</b> Vertical Duo w/ <b>SAF-T-LOK™</b>            |
| <input type="checkbox"/> <b>G</b> Full Glass w/ <b>SAF-T-LOK™</b> | <input type="checkbox"/> <b>S21</b> Solid w/pull Handle                        |
| <input type="checkbox"/> <b>D</b> Duo Panel w/pull Handle         | <input type="checkbox"/> <b>L22</b> Solid w/lock                               |
| <input type="checkbox"/> <b>E</b> Duo Panel w/ <b>SAF-T-LOK™</b>  | <input type="checkbox"/> <b>B20</b> Solid w/glass insert and <b>SAF-T-LOK™</b> |
| <input type="checkbox"/> <b>V</b> Vertical Duo w/pull Handle      |  |



F/G FULL GLASS    D/E DUO PANEL    V/W VERTICAL DUO    S21/L22 SOLID    B SOLID W/SAF-T-LOK

**STEP 3**

**AVAILABLE DOOR GLAZING** (SELECT ONE)

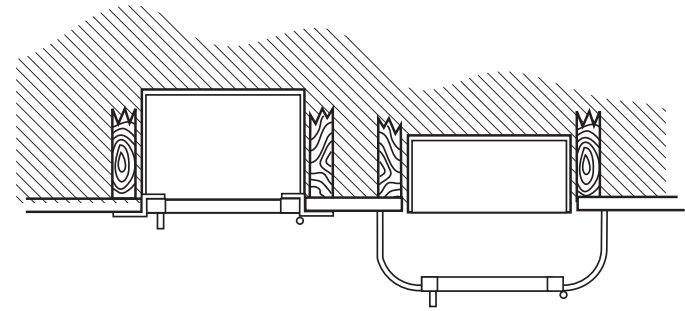
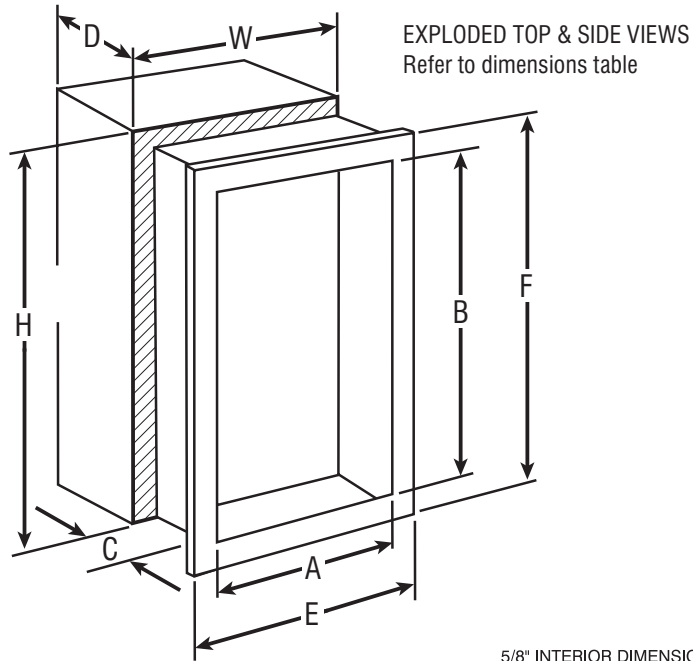
- |   |   |
|---|---|
| <input type="checkbox"/> <b>10</b> Clear Acrylic    | <input type="checkbox"/> <b>16</b> Gray Acrylic           |
| <input type="checkbox"/> <b>13</b> Clear Wire Glass | <input type="checkbox"/> <b>17</b> Clear Tempered Glass   |
| <input type="checkbox"/> <b>15</b> Bronze Acrylic   | <input type="checkbox"/> <b>18</b> Laminated Safety Glass |

**STEP 4**

**OPTIONAL FEATURES AT ADDED COST** (SELECT ANY)

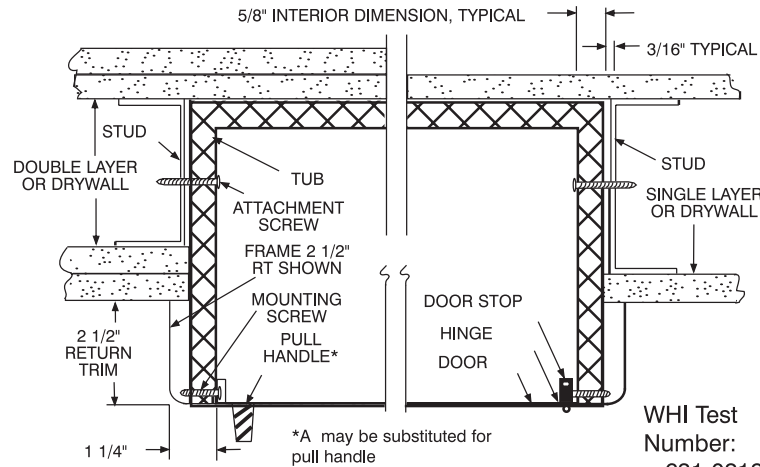
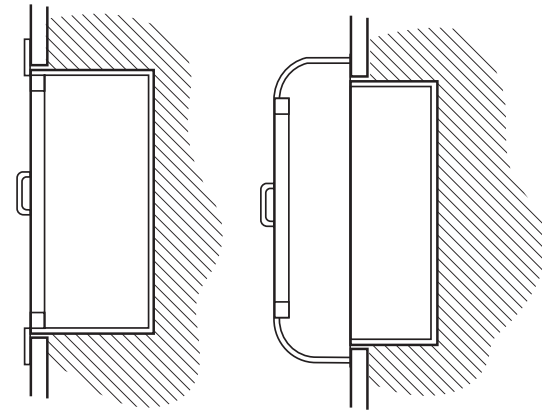
- |  |  |  |
|--|--|--|
| <input type="checkbox"/> Color Epoxy Tub - Red           | <input type="checkbox"/> FE Letters - Black Vertical   | <input type="checkbox"/> Decals - Black Vertical   |
| <input type="checkbox"/> Color Epoxy Tub - Black         | <input type="checkbox"/> FE Letters - Red Vertical     | <input type="checkbox"/> Decals - Red Vertical     |
| <input type="checkbox"/> Anodized Door and Trim - Bronze | <input type="checkbox"/> FE Letters - White Vertical   | <input type="checkbox"/> Decals - White Vertical   |
| <input type="checkbox"/> Futura "Fire" Handle            | <input type="checkbox"/> FE Letters - Black Horizontal | <input type="checkbox"/> Decals - Black Horizontal |
| <input type="checkbox"/> Flush Pull Handle               | <input type="checkbox"/> FE Letters - Red Horizontal   | <input type="checkbox"/> Decals - Red Horizontal   |
| <input type="checkbox"/> FE Letters - White Horizontal   | <input type="checkbox"/> Decals - White Horizontal     | <input type="checkbox"/> Etched Lettering in Glass |
| <input type="checkbox"/> Commander Alarm                 | <input type="checkbox"/> Brigadier Alarm               | <input type="checkbox"/> Engraved Lettering        |
|  | <input type="checkbox"/> Strobe Alarm                  |  |

<p><b>ACTIVAR</b> INC. <small>www.activar.com</small> Construction Products Group</p> <p><b>JL INDUSTRIES</b></p>	Distributor:	Quantity:
	Contractor:	Approved By:
	Model Number:	Architect:
	Project:	Date:



Flat Trim and  
1½" (3.8cm)  
Return Trim

3" (7.65cm), 2½" (6.4cm),  
4" (10.2cm) and 4½" (11.4cm)  
Return Trim, Rolled Edge



WHI Test  
Number:  
• 631-021201  
• 631-021202

\* FOR APPLICABLE RESTRICTIONS, SEE THE **Fire-FX™** OPTION DETAIL AND SUBMITTAL SHEET AND THE INSTALLATION INSTRUCTIONS PROVIDED WITH THE PRODUCT.



JL INDUSTRIES

**ACTIVAR**  
INC.

[www.activar.com](http://www.activar.com)

Construction Products Group