

QTY	TRIM & DOOR & SERIES #		TUB I.D.			FRAME O.D.		WALL OPENING: FX OPTION			ACCOMMODATES FOLLOWING EXTINGUISHERS
	Steel	Trim Style	A	B	C	E	F	W	H	D	
	8115*	Flat Trim	9"	18"	5 1/2"	12 3/8"	21 3/8"	11"	20 1/8"	6 3/8"	Cosmic 2 1/2E, 5E, 5X Galaxy 2 1/2, 5, 5 1/2 Mercury 2 1/2, 5
	8116*	1 1/2"	9"	18"	5 1/2"	12 3/8"	21 3/8"	11"	20 1/8"	4 7/8"	
	8117*	2 1/2"	9"	18"	5 1/2"	12 3/8"	21 3/8"	11"	20 1/8"	4**	
	1815*	Flat Trim	10 1/2"	24"	5 1/2"	13 7/8"	27 3/8"	12 1/2"	26 1/8"	6 3/8"	Cosmic 2 1/2E, 5E, 5X Galaxy 2 1/2, 5, 5 1/2 Mercury 2 1/2, 5
	1816*	1 1/2"	10 1/2"	24"	5 1/2"	13 7/8"	27 3/8"	12 1/2"	26 1/8"	4 7/8"	
	1817*	3"	10 1/2"	24"	5 1/2"	13 7/8"	27 3/8"	12 1/2"	26 1/8"	3 1/2"	
	1812*	4"	10 1/2"	24"	5 1/2"	13 7/8"	27 3/8"	12 1/2"	26 1/8"	2 1/2"	
	1818	4 1/2"	10 1/2"	24"	5 1/2"	13 7/8"	27 3/8"	12 1/2"	26 1/8"	2"	
	1015*	Flat Trim	10 1/2"	24"	6"	13 7/8"	27 3/8"	12 1/2"	26 1/8"	6 7/8"	Cosmic 2 1/2E, 5E, 5X, 6E, 10E Galaxy 2 1/2, 5, 5 1/2, 6, 10 Sentinel 5 Mercury 2 1/2, 5
	1016*	1 1/2"	10 1/2"	24"	6"	13 7/8"	27 3/8"	12 1/2"	26 1/8"	5 3/8"	
	1017*	3"	10 1/2"	24"	6"	13 7/8"	27 3/8"	12 1/2"	26 1/8"	4"	
	1012*	4"	10 1/2"	24"	6"	13 7/8"	27 3/8"	12 1/2"	26 1/8"	3"	
	1018	4 1/2"	10 1/2"	24"	6"	13 7/8"	27 3/8"	12 1/2"	26 1/8"	2 1/2"	
	2015*	Flat Trim	12"	27"	7 3/4"	15 3/8"	30 3/8"	14"	29 1/8"	8 1/2"	Any Cosmic, Any Galaxy Grenadier P, Sentinel 5, 10 Any Mercury Any Saturn
	2016*	1 1/4"	12"	27"	7 3/4"	15 3/8"	30 3/8"	14"	29 1/8"	7 3/8"	
	2017*	2 1/2"	12"	27"	7 3/4"	15 3/8"	30 3/8"	14"	29 1/8"	6 3/8"	
	2012*	4"	12"	27"	7 3/4"	15 3/8"	30 3/8"	14"	29 1/8"	4 5/8"	
	2018	4 1/2"	12"	27"	7 3/4"	15 3/8"	30 3/8"	14"	29 1/8"	4 1/8"	
	3015*	Flat Trim	16"	32"	7 3/4"	19 3/8"	35 3/8"	18"	34 1/8"	8 1/2"	Any Cosmic, Any Galaxy Grenadier P, Sentinel 5, 10, 15 Any Mercury Any Saturn
	3016*	1 1/4"	16"	32"	7 3/4"	19 3/8"	35 3/8"	18"	34 1/8"	7 3/8"	
	3017*	2 1/2"	16"	32"	7 3/4"	19 3/8"	35 3/8"	18"	34 1/8"	6 3/8"	
	3012*	4"	16"	32"	7 3/4"	19 3/8"	35 3/8"	18"	34 1/8"	4 5/8"	
	3018	4 1/2"	16"	32"	7 3/4"	19 3/8"	35 3/8"	18"	34 1/8"	4 1/8"	
	4015*	Flat Trim	20"	27"	7 3/4"	23 3/8"	30 3/8"	22"	29 1/8"	8 1/2"	Two each of: Any Cosmic Any Galaxy/Grenadier P, Sentinel 5, 10 Any Mercury Any Saturn
	4016*	1 1/4"	20"	27"	7 3/4"	23 3/8"	30 3/8"	22"	29 1/8"	7 3/8"	
	4017*	2 1/2"	20"	27"	7 3/4"	23 3/8"	30 3/8"	22"	29 1/8"	6 3/8"	
	4012*	4"	20"	27"	7 3/4"	23 3/8"	30 3/8"	22"	29 1/8"	4 5/8"	
	4018	4 1/2"	20"	27"	7 3/4"	23 3/8"	30 3/8"	22"	29 1/8"	4 1/8"	
DIMENSIONS IN INCHES											

DESCRIPTION: Constructed of cold rolled steel with white powder-coat finish. Flush cabinet doors with 5/8" door stop are attached by a continuous hinge, and have zinc-plated handle and roller catch. Face trim on frame and door is 1 3/4". *Recessed:* 3/8" flat trim, *Semi-Recessed:* 1 1/4", 1 1/2" square edge or 2 1/2", 3", 4", 4 1/2" rolled edge.

STEP 1

SELECT MODEL NUMBER AND QUANTITY (REFER TO CHART ON BACK FOR MODEL NUMBER).

- A. Determine Trim Style according to wall depth.

STEP 2

SELECT DOOR STYLE (CHECK ONE BOX BELOW)

- | | |
|---|--|
| <input type="checkbox"/> F Full Glass w/pull Handle | <input type="checkbox"/> W Vertical Duo w/ SAF-T-LOK™ |
| <input type="checkbox"/> G Full Glass w/ SAF-T-LOK™ | <input type="checkbox"/> S21 Solid w/pull Handle |
| <input type="checkbox"/> D Duo Panel w/pull Handle | <input type="checkbox"/> L22 Solid w/ SAF-T-LOK |
| <input type="checkbox"/> E Duo Panel w/ SAF-T-LOK™ | <input type="checkbox"/> B20 Solid w/glass insert & SAF-T-LOK™ |
| <input type="checkbox"/> V Vertical Duo w/pull Handle | |

STEP 3

AVAILABLE DOOR GLAZING (SELECT ONE)


- | | |
|---|---|
| <input type="checkbox"/> 10 Clear Acrylic | <input type="checkbox"/> 16 Gray Acrylic |
| <input type="checkbox"/> 13 Clear Wire Glass | <input type="checkbox"/> 17 Clear Tempered Glass |
| <input type="checkbox"/> 15 Bronze Acrylic | <input type="checkbox"/> 18 Laminated Safety Glass |

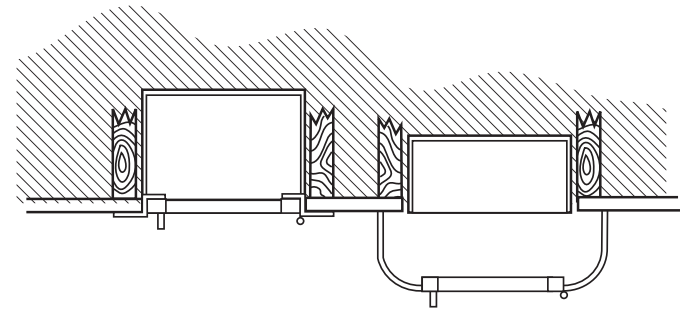
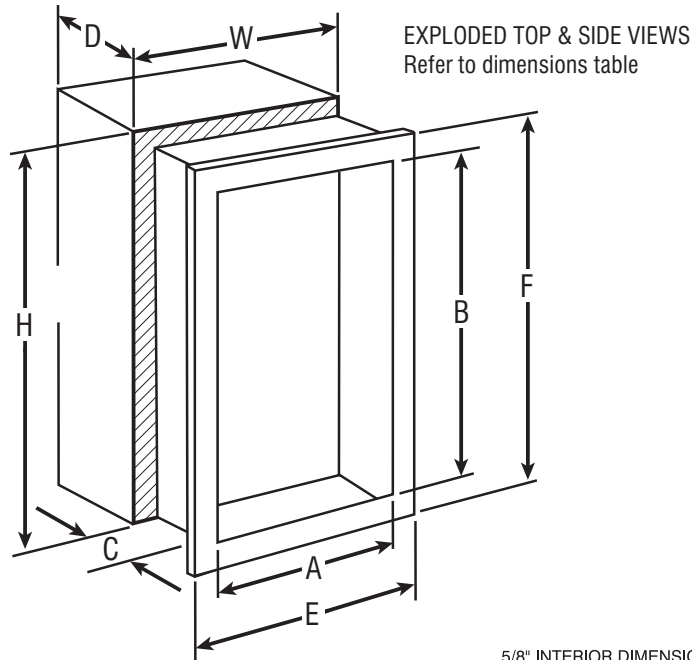
STEP 4

OPTIONAL FEATURES AT ADDED COST (SELECT ANY)

- | | | |
|--|--|---|
| <input type="checkbox"/> Color Epoxy Tub - Red | <input type="checkbox"/> FE Letters - Red Vertical | <input type="checkbox"/> Decals - White Vertical |
| <input type="checkbox"/> Color Epoxy Tub - Blk | <input type="checkbox"/> FE Letters - White Vertical | <input type="checkbox"/> Decals - Blk Horizontal |
| <input type="checkbox"/> Color Epoxy Door - Red | <input type="checkbox"/> FE Letters - Blk Horizontal | <input type="checkbox"/> Decals - Red Horizontal |
| <input type="checkbox"/> Color Epoxy Door - Blk | <input type="checkbox"/> FE Letters - Red Horizontal | <input type="checkbox"/> Decals - White Horizontal |
| <input type="checkbox"/> Futura "Fire" Handle | <input type="checkbox"/> FE Letters - White Horizontal | <input type="checkbox"/> Brigadier Alarm |
| <input type="checkbox"/> Flush Pull Handle | <input type="checkbox"/> Commander Alarm | <input type="checkbox"/> Stainless Steel Tub |
| <input type="checkbox"/> FE Letters - Blk Vertical | <input type="checkbox"/> Decals - Blk Vertical | <input type="checkbox"/> Engraved Door in Metal
(Colorfill Optional) |
| <input type="checkbox"/> Etched Lettering in Glass | <input type="checkbox"/> Decals - Red Vertical | |

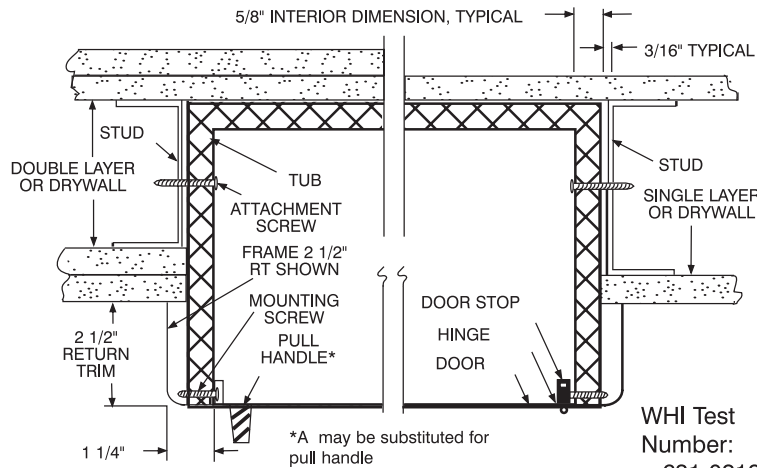
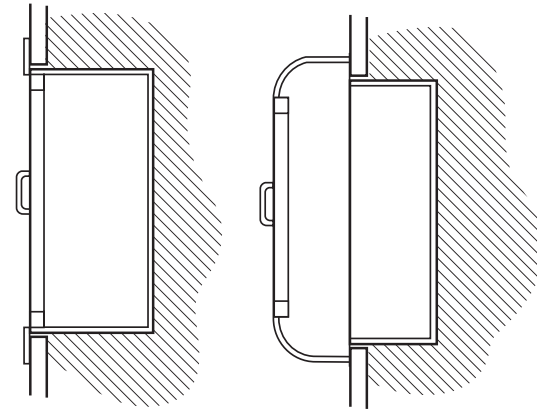
 * MEETS A.D.A. PROJECTION CRITERIA

 <p>ACTIVAR INC. <small>www.activar.com</small> Construction Products Group</p> <p>JL INDUSTRIES</p>	Distributor:	Quantity:
	Contractor:	Approved By:
	Model Number:	Architect:
	Project:	Date:
HEADQUARTERS: 4450 WEST 78TH ST. CIRCLE, BLOOMINGTON, MN 55435-5416 • PH: 800-554-6077 • FAX: 952-835-2218 • E-MAIL: JL@JLINDUSTRIES.COM • WWW.ACTIVARCPG.COM ACPG WEST COAST (SAMSON PRODUCTS): COMMERCE, CA PH: 800-228-9489 FAX: 323-726-9068 • ACPG SOUTHEAST (THOMAS ENTERPRISES): FT. MEYERS, FL • PH: 239-693-7500 FAX: 239-693-7501		



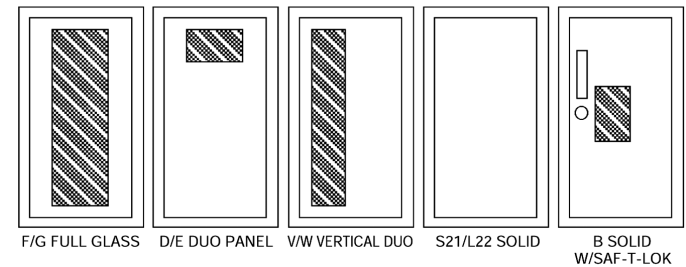
Flat Trim and
1½" (3.8cm)
Return Trim

3"(7.65cm), 2½"(6.4cm),
4"(10.2cm) and 4½"(11.4cm)
Return Trim, Rolled Edge



WHI Test
Number:
• 631-021201
• 631-021202

* FOR APPLICABLE RESTRICTIONS, SEE THE **Fire-FX™** OPTION DETAIL AND SUBMITTAL SHEET AND THE INSTALLATION INSTRUCTIONS PROVIDED WITH THE PRODUCT.



JL INDUSTRIES

ACTIVAR
INC.

www.activar.com

Construction Products Group

4450 W. 78th Street Circle, Bloomington, MN 55435
Phone: 952-835-6850 FAX: 952-835-2218
e-mail: jl@jlindustries.com • web site: www.jlindustries.com