


SUBMITTAL: CLEAR VU FIRE EXTINGUISHER CABINETS

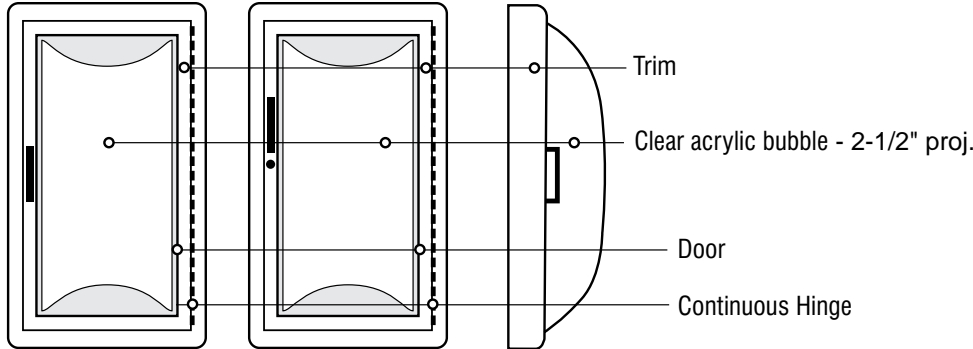
DIMENSIONS IN INCHES

QTY	DOOR MATERIAL & SERIES #					Trim Style	TUB I.D.			FRAME O.D.		WALL OPENING: NON-RATED			ACCOMMODATES FOLLOWING JL EXTINGUISHERS
	Steel	Aluminum	Stainless Steel	Bronze	Brass		A	B	C	E	F	W	H	D	
	1515	1525	1535	1545	1555	Flat Trim	10 1/2"	24"	4"	13 7/8"	27 3/8"	11 1/2"	25"	4"	Cosmic 2 1/2E, 5E, 5X, 6E, 10E Galaxy 2 1/2, 5, 5 1/2, 6, 10 Sentinel 5 Mercury 2 1/2, 5
	1516	1526	1536	1546	1556	1 1/2"	10 1/2"	24"	4"	13 7/8"	27 3/8"	11 1/2"	25"	2 5/8"	
	1517	1527	1537	1547	1557	3"	10 1/2"	24"	4"	13 7/8"	27 3/8"	11 1/2"	25"	1 1/8"	
	1513	1523	1533	1543	1553	Surf. Mtd.	13 11/16"	27 3/16"	4 5/8"	13 7/8"	27 3/8"	-	-	-	
	2515	2525	2535	2545	2555	Flat Trim	14"	30"	4"	17 3/8"	33 3/8"	15"	31"	4"	Any Cosmic, Any Galaxy Sentinel 5, 10 Grenadier P Mercury 2 1/2, 5 Any Saturn
	2516	2526	2536	2546	2556	1 1/4"	14"	30"	4"	17 3/8"	33 3/8"	15"	31"	2 7/8"	
	2517	2527	2537	-	-	2 1/2"	14"	30"	4"	17 3/8"	33 3/8"	15"	31"	1-5/8"	
	2513	2523	2533	2543	2553	Surf. Mtd.	17 3/16"	33 3/16"	4 5/8"	17 3/8"	33 3/8"	-	-	-	
	4515	4525	4535	-	-	Flat Trim	28"	30"	4"	31 3/8"	33 3/8"	29"	31"	4"	Two each of: Any Cosmic Any Galaxy, Sentinel 5, 10 Mercury 2 1/2, 5, Any Saturn
	4513	4523	4533	-	-	Surf. Mtd.	31 3/16"	33 3/16"	4 5/8"	31 3/8"	33 3/8"	-	-	-	

 1515, 1525, 1535, 1545, 1555, 2515, 2525, 2535, 2545, 2555 MEET A.D.A. PROJECTION CRITERIA

NOTE: ALL EXTINGUISHERS MUST BE MOUNTED ON THE BACK OF THE CABINET TUB WITH BRACKET PROVIDED

A convex acrylic bubble door and 4" tub depth are the primary features of our Clear Vu Series cabinets. The transparent bubble projects a nominal 2 1/2" past the cabinet trim, enabling 180° vision of the extinguisher for quick identification in an emergency. The 4" tub depth, meanwhile, allows for full recessing into today's thinner walls, reducing the need for more costly semi-recessed units.



SEE BACK FOR TECHNICAL DRAWINGS



JL INDUSTRIES
INCORPORATED

4450 W. 78th Street Circle, Bloomington, MN 55435
Phone: 952-835-6850 FAX: 952-835-2218
e-mail: jl@jlandustries.com • web site: www.jlandustries.com

STEP 1

SELECT MODEL NUMBER AND QUANTITY (REFER TO CHART ON BACK FOR MODEL NUMBER).

- A. Determine Trim Style according to wall depth.
- B. Determine Tub I.D. according to size most suited for extinguisher and wall opening.

NOTE: If wall is fire rated, ask for separate Fire-FX™ recessed or semi-recessed cabinet detail and submittal sheet.

STEP 2

SELECT DOOR STYLE (CHECK ONE BOX BELOW)

- F Full Glass w/pull Handle
- G Full Glass w/SAF-T-LOK™

STEP 3

SELECT DOOR GLAZING (CHECK ONE BOX BELOW)

- 25 CLEAR BUBBLE
- 26 RED BUBBLE
- 27 BRONZE BUBBLE

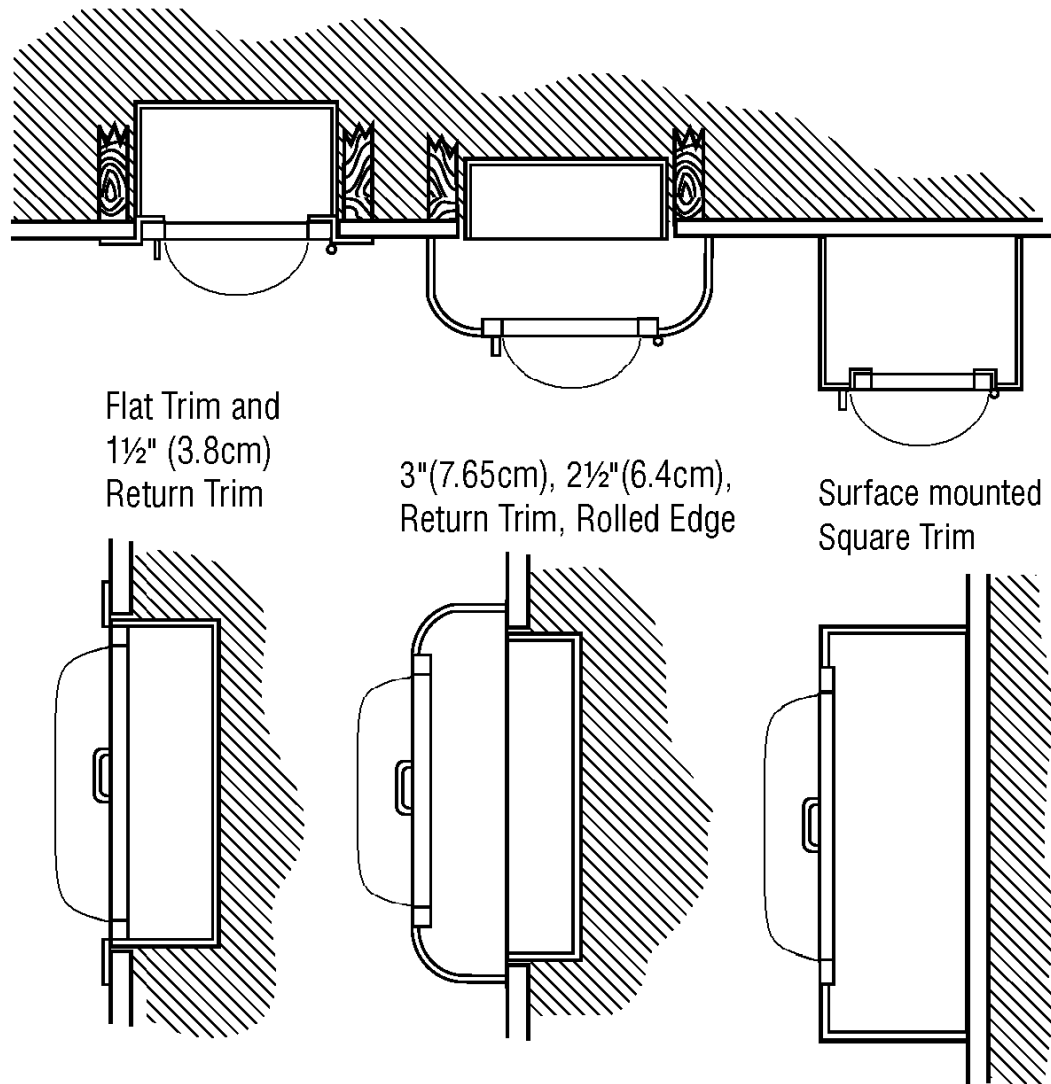
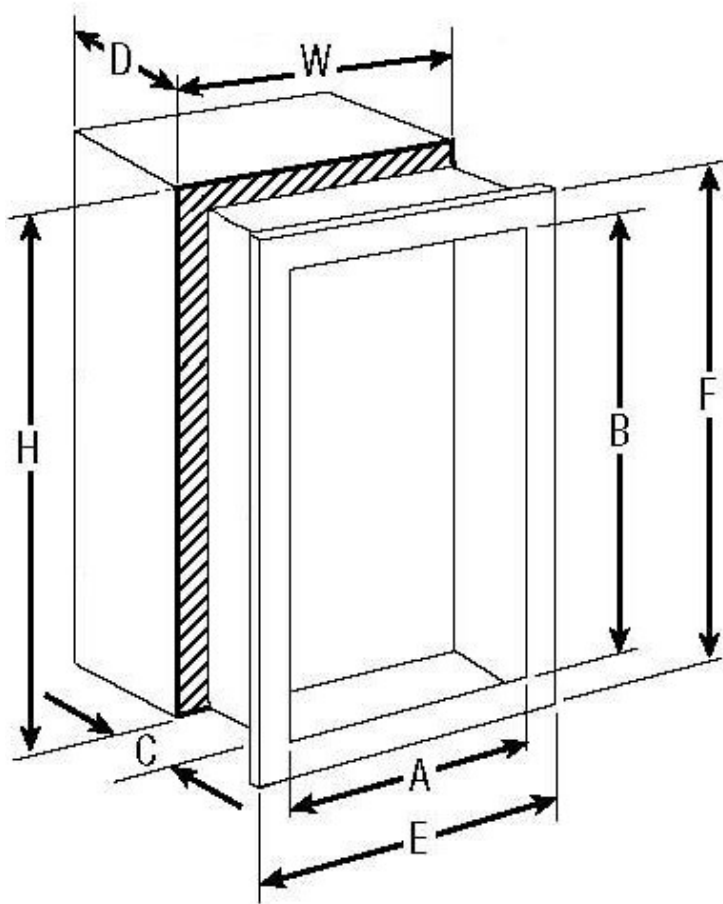
STEP 4



SELECT OPTIONS (IF APPLICABLE CHECK ANY BOX BELOW)

- | | | |
|---|---|--|
| <input type="checkbox"/> Color Epoxy Coated Tub | <input type="checkbox"/> #4 Stainless Steel Tub: For Stainless Steel Only | <input type="checkbox"/> FE Letters - Red Horizontal |
| <input type="checkbox"/> Color Epoxy Coated Door And Trim: For Steel Only | <input type="checkbox"/> #6 Satin Stainless | <input type="checkbox"/> FE Letters - White Horizontal |
| <input type="checkbox"/> Color Anodized Door And Trim: For Aluminum Only | <input type="checkbox"/> #7 Polished Stainless | <input type="checkbox"/> Decals - Blk Vertical |
| <input type="checkbox"/> Aluminum Tub: For Aluminum Cabinets Only | <input type="checkbox"/> #8 Polished Stainless | <input type="checkbox"/> Decals - Red Vertical |
| <input type="checkbox"/> U.S. 4 Satin Brass Clear Coated | <input type="checkbox"/> FE Letters - Blk Vertical | <input type="checkbox"/> Decals - White Vertical |
| <input type="checkbox"/> U.S. 9 Polished Bright Bronze | <input type="checkbox"/> FE Letters - Red Vertical | <input type="checkbox"/> Decals - Blk Horizontal |
| <input type="checkbox"/> U.S. 10B Finish Dark Oxidized Bronze Oil Rubbed | <input type="checkbox"/> FE Letters - White Vertical | <input type="checkbox"/> Decals - Red Horizontal |
| | <input type="checkbox"/> FE Letters - Blk Horizontal | <input type="checkbox"/> Decals - White Horizontal |
| | | <input type="checkbox"/> Brigadier Alarm |
| | | <input type="checkbox"/> Commander Alarm |
| | | <input type="checkbox"/> Futura "Fire" Handle |

DISTRIBUTOR:	QUANTITY:
CONTRACTOR:	APPROVED BY:
MODEL NUMBER:	ARCHITECT:
PROJECT:	DATE:

ACPG WEST COAST (SAMSON), 6285 RANDOLPH STREET, COMMERCE, CA 90040, PHONE: 800-554-6077, FAX: 952-835-2218
ACPG SOUTH EAST (THOMAS), 5758 CORPORATION CIRCLE, FT. MYERS, FL, PHONE: 239-693-7500, FAX: 239-693-7501



 JL INDUSTRIES	A DIVISION OF  www.activarcpg.com	Distributor:	Quantity:
		Contractor:	Approved By:
		Model #:	Architect:
		Project:	Date:
HEADQUARTERS & CUSTOMER SERVICE: 4450 WEST 78 TH ST CIRCLE, BLOOMINGTON, MN 55435-5416 PH: 800-554-6077 FAX: 952-835-2218 EMAIL: SALES@JLINDUSTRIES.COM WWW.ACTIVARCPG.COM ACPG SOUTHEAST (THOMAS ENTERPRISES): FT MEYERS, FL ACPG WEST COAST (SAMSON): COMMERCE, CA WAREHOUSES: DALLAS TX, LANCASTER PA, ATLANTA GA, CHICAGO, IL			