


SUBMITTAL: CLEAR VU FIRE-FX™ FIRE EXTINGUISHER CABINETS

DIMENSIONS IN INCHES

QTY	DOOR MATERIAL & SERIES #						TUB I.D.			FRAME O.D.		WALL OPENING: FX OPTION			ACCOMMODATES FOLLOWING JL EXTINGUISHERS
	Steel	Aluminum	Stainless Steel	Bronze	Brass	Trim Style	A	B	C	E	F	W	H	D	
	1515	1525	1535	1545	1555	Flat Trim	10 1/2"	24"	4"	13 7/8"	27 3/8"	12 1/2"	26 1/8"	4 7/8"	Cosmic 2 1/2E, 5E, 5X, 6E, 10E Galaxy 2 1/2, 5, 5 1/2, 6, 10 Sentinel 5 Mercury 2 1/2, 5
	1516	1526	1536	1546	1556	1 1/2"	10 1/2"	24"	4"	13 7/8"	27 3/8"	12 1/2"	26 1/8"	3 1/2"	
	1517	1527	1537	1547	1557	3"	10 1/2"	24"	4"	13 7/8"	27 3/8"	12 1/2"	26 1/8"	2"	
	2515	2525	2535	2545	2555	Flat Trim	14"	30"	4"	17 3/8"	33 3/8"	16"	32 1/8"	4 7/8"	Any Cosmic, Any Galaxy Sentinel 5, 10 Grenadier P (Mount to Back of Tub) Mercury 2 1/2, 5 Any Saturn
	2516	2526	2536	2546	2556	1 1/4"	14"	30"	4"	17 3/8"	33 3/8"	16"	32 1/8"	3 3/4"	
	2517	2527	2537	-	-	2 1/2"	14"	30"	4"	17 3/8"	33 3/8"	16"	32 1/8"	2 1/2"	
	4515	4525	4535	-	-	Flat Trim	28"	30"	4"	31 3/8"	33 3/8"	30"	32 1/8"	4 7/8"	Two each of: Any Cosmic Any Galaxy, Sentinel 5, 10 Mercury 2 1/2, 5, Any Saturn

 MODELS 1515, 1525, 1535, 1545, 1555, 2515, 2525, 2535, 2545 MEET A.D.A. PROJECTION CRITERIA

NOTE: ALL EXTINGUISHERS MUST BE MOUNTED ON THE BACK OF THE CABINET TUB WITH BRACKET PROVIDED

STEP 1

SELECT MODEL NUMBER AND QUANTITY (REFER TO CHART ON BACK FOR MODEL NUMBER).

- A. Fire-FX Option for fire rated walls.
- B. Determine Trim Style according to wall depth.
- C. Determine Tub I.D. according to size most suited for extinguisher and wall opening.

STEP 2

SELECT DOOR STYLE (CHECK ONE BOX BELOW)

- F Full Glass w/pull Handle
- G Full Glass w/SAF-T-LOK™

STEP 3

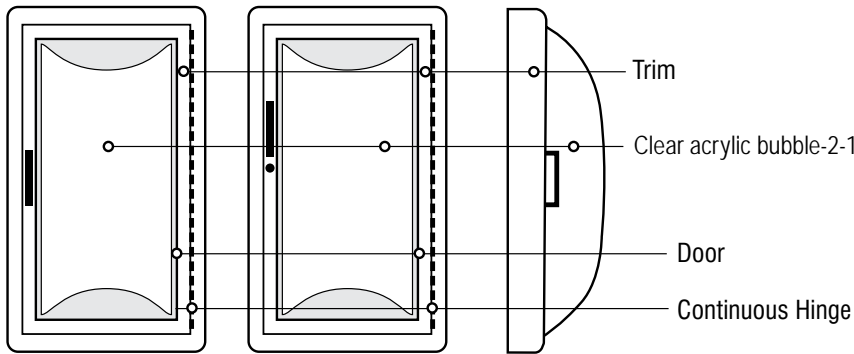
SELECT DOOR GLAZING (CHECK ONE BOX BELOW)

- 25 CLEAR BUBBLE
- 26 RED BUBBLE
- 27 BRONZE BUBBLE

STEP 4

SELECT OPTIONS (IF APPLICABLE CHECK ANY BOX BELOW)

- Color Epoxy Coated Tub
- Color Epoxy Coated Door And Trim: For Steel Only
- Color Anodized Door And Trim: For Aluminum Only
- Aluminum Tub: For Aluminum Cabinets Only
- U.S. 4 Satin Brass Clear Coated
- U.S. 9 Polished Bright Bronze
- U.S. 10B Finish Dark Oxidized Bronze Oil Rubbed
- #4 Stainless Steel Tub: For Stainless Steel Only
- #6 Satin Stainless
- #7 Polished Stainless
- #8 Polished Stainless
- FE Letters - Blk Vertical
- FE Letters - Red Vertical
- FE Letters - White Vertical
- FE Letters - Blk Horizontal
- #4 Stainless Steel Tub: For Stainless Steel Only
- #6 Satin Stainless
- #7 Polished Stainless
- #8 Polished Stainless
- FE Letters - Blk Vertical
- FE Letters - Red Vertical
- FE Letters - White Vertical
- FE Letters - Blk Horizontal
- FE Letters - Red Horizontal
- FE Letters - White Horizontal
- Decals - Blk Vertical
- Decals - Red Vertical
- Decals - White Vertical
- Decals - Blk Horizontal
- Decals - Red Horizontal
- Decals - White Horizontal
- Brigadier Alarm
- Commander Alarm
- Futura "Fire" Handle



SEE BACK FOR TECHNICAL DRAWINGS



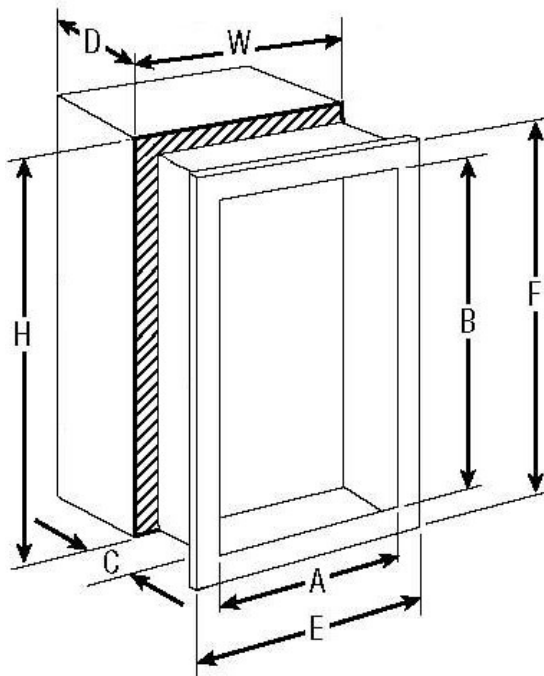
JL INDUSTRIES
INCORPORATED

4450 W. 78th Street Circle, Bloomington, MN 55435
Phone: 952-835-6850 FAX: 952-835-2218

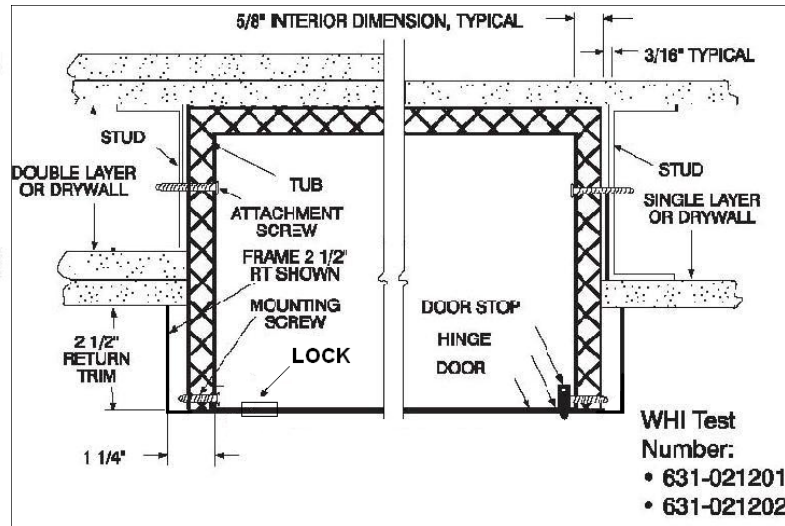
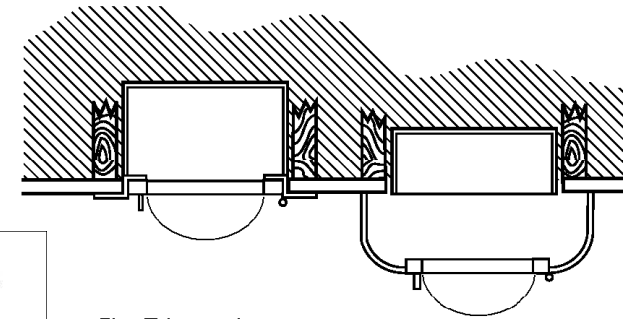
e-mail: jl@jlandustries.com • web site: www.jlandustries.com

DISTRIBUTOR:	QUANTITY:
CONTRACTOR:	APPROVED BY:
MODEL NUMBER:	ARCHITECT:
PROJECT:	DATE:

JL WEST COAST, 6285 RANDOLPH STREET, COMMERCE, CA 90040, PHONE: 323-726-9070, FAX: 323-726-9068
JL SOUTH EAST, 5758 CORPORATION CIRCLE, FT. MYERS, FL., PHONE: 239-693-7500, FAX: 239-693-7501



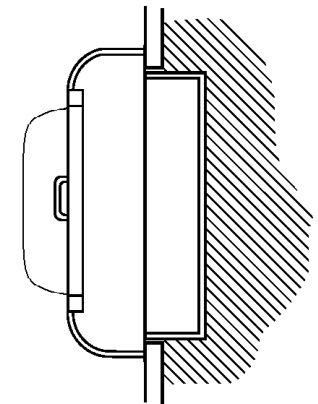
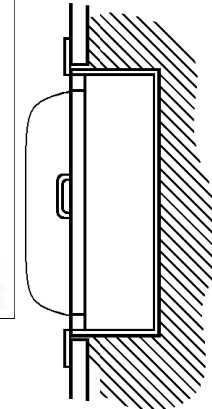
Top View of Cabinet



Side View of Cabinet

Flat Trim and
1 1/2" (3.8cm)
Return Trim

3" (7.65cm), 2 1/2" (6.4cm),
Return Trim, Rolled Edge



Fire-Rating: The recessed and semi-recessed Fire-FX™ cabinets are fabricated in accordance with the Warnock Hersey label for one and two hour combustible and non-combustible wall system building codes. The fire testing has met the requirement of the UBC standard 43-6 and ASTM-83 for membrane and penetration firestops. Installation instructions must be strictly adhered to in order to obtain the fire rating. The installation of any fire-rated



JL INDUSTRIES

A DIVISION OF

ACTIVAR
INC.

www.activarcpg.com

Construction Products Group

CLEAR VU FX FIRE EXTINGUISHER WALL INSTALLATION DETAIL

HEADQUARTERS & CUSTOMER SERVICE: 4450 WEST 78TH ST CIRCLE, BLOOMINGTON, MN 55435-5416 PH: 800-554-6077 FAX: 952-835-2218 EMAIL: SALES@JLINDUSTRIES.COM WWW.ACTIVARCPG.COM
ACPG SOUTHEAST (THOMAS ENTERPRISES): FT MEYERS, FL ACPG WEST COAST (SAMSON): COMMERCE, CA WAREHOUSES: DALLAS TX, LANCASTER PA, ATLANTA GA, CHICAGO, IL