

DIMENSIONS IN INCHES

QTY	TRIM & DOOR & SERIES #		TUB I.D.			FRAME O.D.		WALL OPENING: NON-RATED			ACCOMMODATES FOLLOWING EXTINGUISHERS
	Stainless Steel	Trim Style	A	B	C	E	F	W	H	D	
	8135*	Flat Trim	9"	18"	5 1/2"	12 3/8"	21 3/8"	10"	19"	5 1/2"	Cosmic 2 1/2E, 5E, 5X Galaxy 2 1/2, 5, 5 1/2 Mercury 2 1/2, 5
	8136*	1 1/2"	9"	18"	5 1/2"	12 3/8"	21 3/8"	10"	19"	4"	
	8137*	2 1/2"	9"	18"	5 1/2"	12 3/8"	21 3/8"	10"	19"	3 1/8"	
	8133	Surf. Mtd.	12 3/16"	21 3/16"	6"	12 3/8"	21 3/8"	--	--	--	
	1835*	Flat Trim	10 1/2"	24"	5 1/2"	13 7/8"	27 3/8"	11 1/2"	25"	5 1/2"	Cosmic 2 1/2E, 5E, 5X Galaxy 2 1/2, 5, 5 1/2 Mercury 2 1/2, 5
	1836*	1 1/2"	10 1/2"	24"	5 1/2"	13 7/8"	27 3/8"	11 1/2"	25"	4"	
	1837*	3"	10 1/2"	24"	5 1/2"	13 7/8"	27 3/8"	11 1/2"	25"	2 5/8"	
	1832*	4"	10 1/2"	24"	5 1/2"	13 7/8"	27 3/8"	11 1/2"	25"	1 5/8"	
	1838	4 1/2"	10 1/2"	24"	5 1/2"	13 7/8"	27 3/8"	11 1/2"	25"	1 1/8"	
	1034*	Trimless	10 1/2"	24"	6"	10 3/4"	24 1/4"	11"	24 1/2"	6 1/4"	Cosmic 2 1/2E, 5E, 5X, 6E, 10E Galaxy 2 1/2, 5, 5 1/2, 6, 10 Sentinel 5 Mercury 2 1/2, 5
	1035*	Flat Trim	10 1/2"	24"	6"	13 7/8"	27 3/8"	11 1/2"	25"	6"	
	1036*	1 1/2"	10 1/2"	24"	6"	13 7/8"	27 3/8"	11 1/2"	25"	4 1/2"	
	1037*	3"	10 1/2"	24"	6"	13 7/8"	27 3/8"	11 1/2"	25"	3 1/8"	
	1032*	4"	10 1/2"	24"	6"	13 7/8"	27 3/8"	11 1/2"	25"	2 1/8"	
	1038	4 1/2"	10 1/2"	24"	6"	13 7/8"	27 3/8"	11 1/2"	25"	1 5/8"	
	1033	Surf. Mtd.	13 11/16"	27 3/16"	6 1/2"	13 7/8"	27 3/8"	--	--	--	
	2034*	Trimless	12"	27"	7 3/4"	12 1/4"	27 1/4"	12 1/2"	27 1/2"	8"	Any Cosmic, Any Galaxy Grenadier P, Sentinel 5, 10 Any Mercury Any Saturn
	2035*	Flat Trim	12"	27"	7 3/4"	15 3/8"	30 3/8"	13"	28"	7 7/8"	
	2036*	1 1/4"	12"	27"	7 3/4"	15 3/8"	30 3/8"	13"	28"	6 3/4"	
	2037*	2 1/2"	12"	27"	7 3/4"	15 3/8"	30 3/8"	13"	28"	5 1/2"	
	2032*	4"	12"	27"	7 3/4"	15 3/8"	30 3/8"	13"	28"	4"	
	2038	4 1/2"	12"	27"	7 3/4"	15 3/8"	30 3/8"	13"	28"	3 1/2"	
	2033	Surf. Mtd.	15 3/16"	30 3/16"	8 1/4"	15 3/8"	30 3/8"	--	--	--	
	3035*	Flat Trim	16"	32"	7 3/4"	19 3/8"	35 3/8"	17"	33"	7 7/8"	Any Cosmic, Any Galaxy Grenadier P, Sentinel 5, 10, 15 Any Mercury Any Saturn
	3036*	1 1/4"	16"	32"	7 3/4"	19 3/8"	35 3/8"	17"	33"	6 3/4"	
	3037*	2 1/2"	16"	32"	7 3/4"	19 3/8"	35 3/8"	17"	33"	5 1/2"	
	3032*	4"	16"	32"	7 3/4"	19 3/8"	35 3/8"	17"	33"	4"	
	3038	4 1/2"	16"	32"	7 3/4"	19 3/8"	35 3/8"	17"	33"	3 1/2"	
	3033	Surf. Mtd.	19 3/16"	35 3/16"	8 1/4"	19 3/8"	35 3/8"	--	--	--	
	4035*	Flat Trim	20"	27"	7 3/4"	23 3/8"	30 3/8"	21"	28"	7 7/8"	Two each of: Any Cosmic Any Galaxy Grenadier P, Sentinel 5, 10
	4036*	1 1/4"	20"	27"	7 3/4"	23 3/8"	30 3/8"	21"	28"	6 3/4"	
	4037*	2 1/2"	20"	27"	7 3/4"	23 3/8"	30 3/8"	21"	28"	5 1/2"	
	4032*	4"	20"	27"	7 3/4"	23 3/8"	30 3/8"	21"	28"	4"	
	4038	4 1/2"	20"	27"	7 3/4"	23 3/8"	30 3/8"	21"	28"	3 1/2"	
	4033	Surf. Mtd.	23 3/16"	30 3/16"	8 1/4"	23 3/8"	30 3/8"	--	--	--	

* MEETS A.D.A. PROJECTION CRITERIA

COSMOPOLITAN SERIES: Stainless Steel

Door and Trim Construction: No. 4 stainless steel. Flush cabinet doors with a 5/8" door stop are attached by a continuous hinge and equipped with zinc-plated handle and roller catch.

Trim Style and Depth: Recessed - 3/8" flat trim or trimless. Semi-Recessed - 1 1/4", 1 1/2" Square Edge or 2 1/2", 3", 4", 4 1/2" Rolled Edge. Surface-mount has a square edge or optional rolled edge upon request. 1 3/4" face trim on frame and door.

Tub: Constructed of cold rolled steel with white powder-coat finish standard.

STEP 1

SELECT MODEL NUMBER AND QUANTITY (REFER TO CHART TO LEFT FOR MODEL NUMBER)

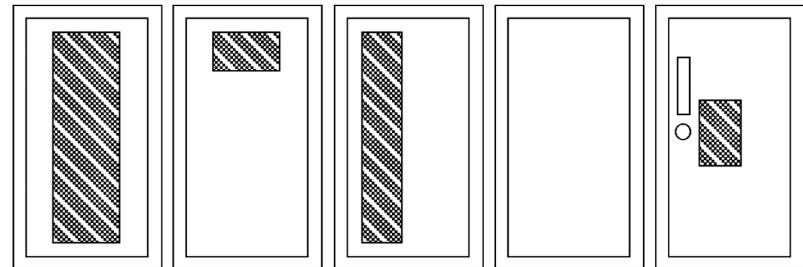
- A. Determine Trim Style according to wall depth.
- B. Determine Tub I.D. according to size most suited for extinguisher and wall opening.

NOTE: If wall is fire rated, ask for separate Fire-FX™ recessed or semi-recessed cabinet detail and submittal form.

STEP 2

SELECT DOOR STYLE (CHECK ONE BOX BELOW)

- | | |
|---|--|
| <input type="checkbox"/> F Full Glass w/pull Handle | <input type="checkbox"/> W Vertical Duo w/SAF-T-LOK™ |
| <input type="checkbox"/> G Full Glass w/SAF-T-LOK™ | <input type="checkbox"/> S21 Solid w/pull Handle |
| <input type="checkbox"/> D Duo Panel w/pull Handle | <input type="checkbox"/> L22 Solid w/lock |
| <input type="checkbox"/> E Duo Panel w/SAF-T-LOK™ | <input type="checkbox"/> B Solid w/glass insert and SAF-T-LOK™ |
| <input type="checkbox"/> V Vertical Duo w/pull Handle | |



F/G FULL GLASS D/E DUO PANEL V/W VERTICAL DUO S21/L22 SOLID B SOLID W/SAF-T-LOK

STEP 3

AVAILABLE DOOR GLAZING (SELECT ONE)

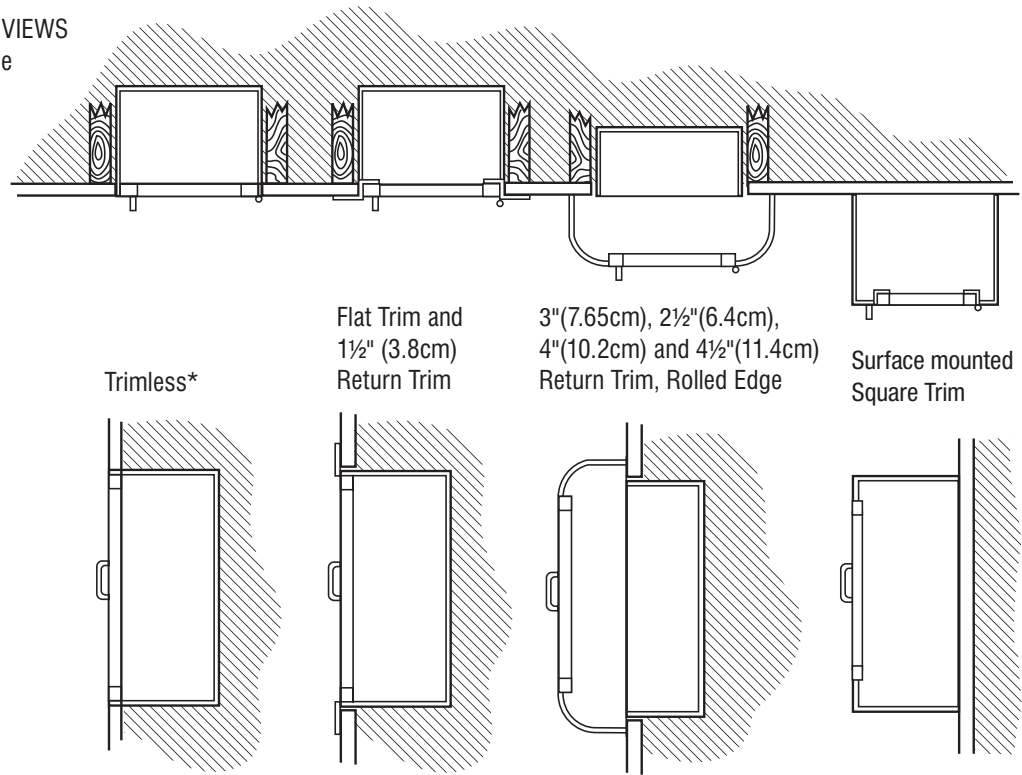
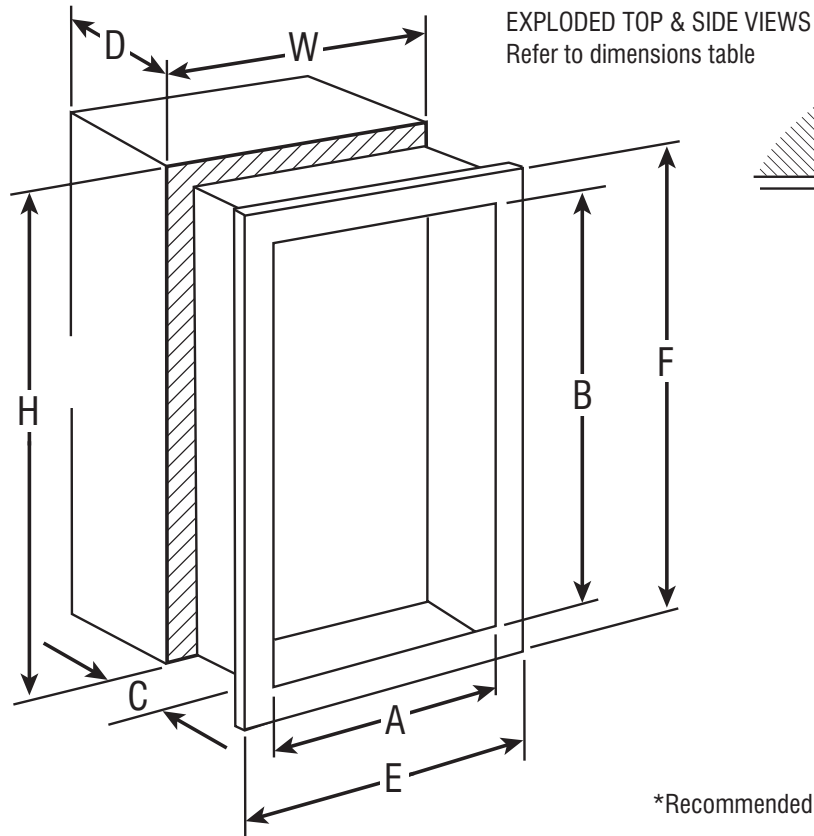
- | | |
|--|--|
| <input type="checkbox"/> 10 Clear Acrylic | <input type="checkbox"/> 16 Gray Acrylic |
| <input type="checkbox"/> 13 Clear Wire Glass | <input type="checkbox"/> 17 Clear Tempered Glass |
| <input type="checkbox"/> 15 Bronze Acrylic | <input type="checkbox"/> 18 Laminated Safety Glass |

STEP 4

OPTIONS (SELECT ANY)

- | | | |
|--|--|--|
| <input type="checkbox"/> Color Epoxy Tub - Red | <input type="checkbox"/> FE Letters - Black Vertical | <input type="checkbox"/> Decals - Black Vertical |
| <input type="checkbox"/> Color Epoxy Tub - Black | <input type="checkbox"/> FE Letters - Red Vertical | <input type="checkbox"/> Decals - Red Vertical |
| <input type="checkbox"/> #4 Stainless Steel Tub | <input type="checkbox"/> FE Letters - White Vertical | <input type="checkbox"/> Decals - White Vertical |
| <input type="checkbox"/> #6 Satin Stainless Steel | <input type="checkbox"/> FE Letters - Black Horizontal | <input type="checkbox"/> Decals - Black Horizontal |
| <input type="checkbox"/> #7 Polished Stainless Steel | <input type="checkbox"/> FE Letters - Red Horizontal | <input type="checkbox"/> Decals - Red Horizontal |
| <input type="checkbox"/> #8 Polished Stainless Steel | <input type="checkbox"/> FE Letters - White Horizontal | <input type="checkbox"/> Decals - White Horizontal |
| <input type="checkbox"/> Futura "Fire" Handle | <input type="checkbox"/> Brigadier Alarm | <input type="checkbox"/> Commander Alarm |
| <input type="checkbox"/> Flush Pull Handle | <input type="checkbox"/> Strobe Alarm | <input type="checkbox"/> Etched Lettering in Glass |
| | | <input type="checkbox"/> Engraved Lettering |

<p>ACTIVAR INC. www.activar.com Construction Products Group</p> <p>JL INDUSTRIES</p>	Distributor:	Quantity:
	Contractor:	Approved By:
	Model Number:	Architect:
	Project:	Date:



*Recommended for plaster walls only, where the wall can be finished flush with the cabinet after its installation



JL INDUSTRIES
INCORPORATED

4450 W. 78th Street Circle, Bloomington, MN 55435
Phone: 952-835-6850 FAX: 952-835-2218
e-mail: jl@jlindustries.com • web site: www.jlindustries.com