

DIMENSIONS IN INCHES

QTY	TRIM & DOOR & SERIES #		TUB I.D.			FRAME O.D.		WALL OPENING: FX OPTION			ACCOMMODATES FOLLOWING EXTINGUISHERS
	Stainless Steel	Trim Style	A	B	C	E	F	W	H	D	
	8135*	Flat Trim	9"	18"	5 1/2"	12 3/8"	21 3/8"	11"	20 1/8"	6 3/8"	Cosmic 2 1/2E, 5E, 5X Galaxy 2 1/2, 5, 5 1/2 Mercury 2 1/2, 5
	8136*	1 1/2"	9"	18"	5 1/2"	12 3/8"	21 3/8"	11"	20 1/8"	4 7/8"	
	8137*	2 1/2"	9"	18"	5 1/2"	12 3/8"	21 3/8"	11"	20 1/8"	4"	
	1835*	Flat Trim	10 1/2"	24"	5 1/2"	13 7/8"	27 3/8"	12 1/2"	26 1/8"	6 3/8"	Cosmic 2 1/2E, 5E, 5X Galaxy 2 1/2, 5, 5 1/2 Mercury 2 1/2, 5
	1836*	1 1/2"	10 1/2"	24"	5 1/2"	13 7/8"	27 3/8"	12 1/2"	26 1/8"	4 7/8"	
	1837*	3"	10 1/2"	24"	5 1/2"	13 7/8"	27 3/8"	12 1/2"	26 1/8"	3 1/2"	
	1832*	4"	10 1/2"	24"	5 1/2"	13 7/8"	27 3/8"	12 1/2"	26 1/8"	2 1/2"	
	1838*	4 1/2"	10 1/2"	24"	5 1/2"	13 7/8"	27 3/8"	12 1/2"	26 1/8"	2"	
	1035*	Flat Trim	10 1/2"	24"	6"	13 7/8"	27 3/8"	12 1/2"	26 1/8"	6 7/8"	Cosmic 2 1/2E, 5E, 5X, 6E, 10E Galaxy 2 1/2, 5, 5 1/2, 6, 10 Sentinel 5 Mercury 2 1/2, 5
	1036*	1 1/2"	10 1/2"	24"	6"	13 7/8"	27 3/8"	12 1/2"	26 1/8"	5 3/8"	
	1037*	3"	10 1/2"	24"	6"	13 7/8"	27 3/8"	12 1/2"	26 1/8"	4"	
	1032*	4"	10 1/2"	24"	6"	13 7/8"	27 3/8"	12 1/2"	26 1/8"	3"	
	1038*	4 1/2"	10 1/2"	24"	6"	13 7/8"	27 3/8"	12 1/2"	26 1/8"	2 1/2"	
	2035*	Flat Trim	12"	27"	7 3/4"	15 3/8"	30 3/8"	14"	29 1/8"	8 1/2"	Any Cosmic, Any Galaxy Grenadier P, Sentinel 5, 10 Any Mercury Any Saturn
	2036*	1 1/4"	12"	27"	7 3/4"	15 3/8"	30 3/8"	14"	29 1/8"	7 3/8"	
	2037*	2 1/2"	12"	27"	7 3/4"	15 3/8"	30 3/8"	14"	29 1/8"	6 3/8"	
	2032*	4"	12"	27"	7 3/4"	15 3/8"	30 3/8"	14"	29 1/8"	4 5/8"	
	2038*	4 1/2"	12"	27"	7 3/4"	15 3/8"	30 3/8"	14"	29 1/8"	4 1/8"	
	3035*	Flat Trim	16"	32"	7 3/4"	19 3/8"	35 3/8"	18"	34 1/8"	8 1/2"	Any Cosmic, Any Galaxy Grenadier P, Sentinel 5, 10, 15 Any Mercury Any Saturn
	3036*	1 1/4"	16"	32"	7 3/4"	19 3/8"	35 3/8"	18"	34 1/8"	7 3/8"	
	3037*	2 1/2"	16"	32"	7 3/4"	19 3/8"	35 3/8"	18"	34 1/8"	6 3/8"	
	3032*	4"	16"	32"	7 3/4"	19 3/8"	35 3/8"	18"	34 1/8"	4 5/8"	
	3038*	4 1/2"	16"	32"	7 3/4"	19 3/8"	35 3/8"	18"	34 1/8"	4 1/8"	
	4035*	Flat Trim	20"	27"	7 3/4"	23 3/8"	30 3/8"	22"	29 1/8"	8 1/2"	Two each of: Any Cosmic Any Galaxy/Grenadier P, Sentinel 5, 10 Any Mercury Any Saturn
	4036*	1 1/4"	20"	27"	7 3/4"	23 3/8"	30 3/8"	22"	29 1/8"	7 3/8"	
	4037*	2 1/2"	20"	27"	7 3/4"	23 3/8"	30 3/8"	22"	29 1/8"	6 3/8"	
	4032*	4"	20"	27"	7 3/4"	23 3/8"	30 3/8"	22"	29 1/8"	4 5/8"	
	4038*	4 1/2"	20"	27"	7 3/4"	23 3/8"	30 3/8"	22"	29 1/8"	4 1/8"	

* MEETS A.D.A. PROJECTION CRITERIA

COSMOPOLITAN SERIES: Stainless Steel

Door and Trim Construction: No. 4 stainless steel. Flush cabinet doors with a 5/8" door stop are attached by a continuous hinge and equipped with zinc-plated handle and roller catch.

Trim Style and Depth: Recessed - 3/8" flat trim or trimless. Semi-Recessed - 1 1/4", 1 1/2" Square Edge or 2 1/2", 3", 4", 4 1/2" Rolled Edge. Surface-mount has a square edge or optional rolled edge upon request. 1 3/4" face trim on frame and door.

Tub: Constructed of cold rolled steel with white powder-coat finish standard.

STEP 1

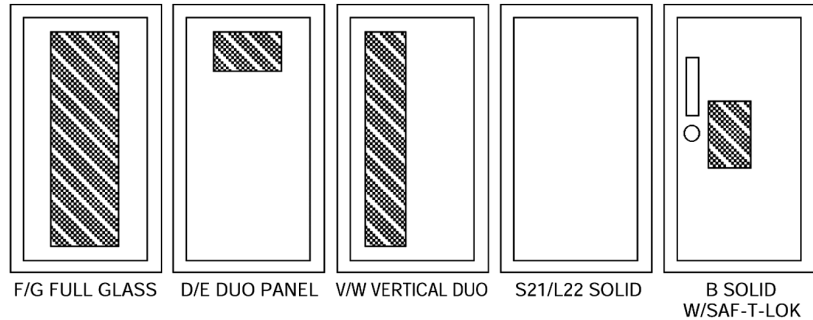
SELECT MODEL NUMBER AND QUANTITY (REFER TO CHART AT LEFT FOR MODEL NUMBER).

- A. Determine Trim Style according to wall depth.
- B. Determine Tub I.D. according to size most suited for extinguishers and wall opening.

STEP 2

SELECT DOOR STYLE (CHECK ONE BOX BELOW)

- F** Full Glass w/pull Handle
- G** Full Glass w/SAF-T-LOK™
- D** Duo Panel w/pull Handle
- E** Duo Panel w/SAF-T-LOK™
- V** Vertical Duo w/pull Handle
- W** Vertical Duo w/SAF-T-LOK™
- S21** Solid w/pull Handle
- L22** Solid w/lock
- B20** Solid w/glass insert and SAF-T-LOK™



STEP 3

AVAILABLE DOOR GLAZING (SELECT ONE)

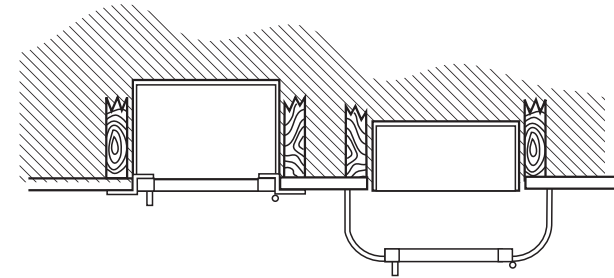
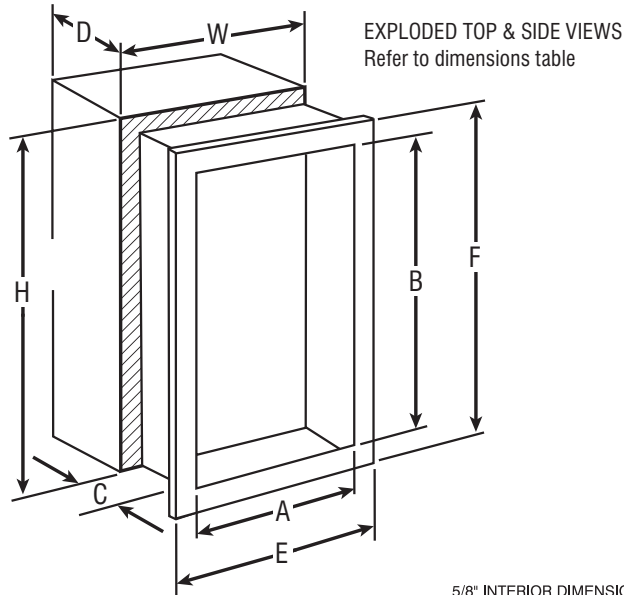
- 10** Clear Acrylic
- 13** Clear Wire Glass
- 15** Bronze Acrylic
- 16** Gray Acrylic
- 17** Clear Tempered Glass
- 18** Laminated Safety Glass

STEP 4

OPTIONAL FEATURES AT ADDED COST (SELECT ANY)

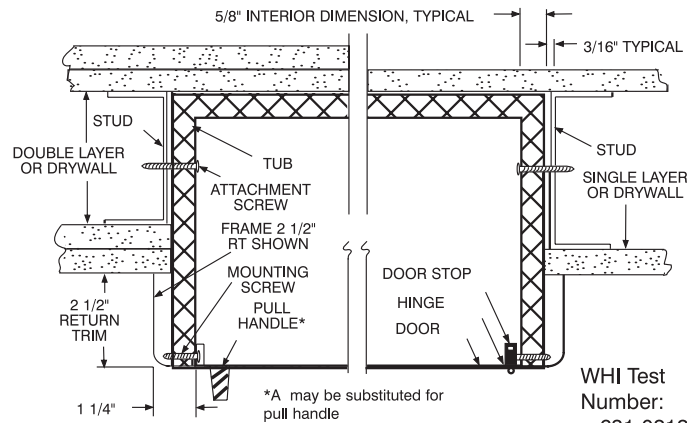
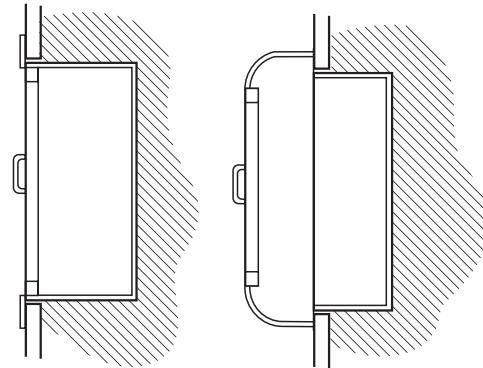
- Color Epoxy Tub - Red
- Color Epoxy Tub - Black
- #4 Stainless Steel Tub
- #6 Satin Stainless Steel
- #7 Polished Stainless Steel
- #8 Polished Stainless Steel
- Futura "Fire" Handle
- Flush Pull Handle
- FE Letters - Black Vertical
- FE Letters - Red Vertical
- FE Letters - White Vertical
- FE Letters - Black Horizontal
- FE Letters - Red Horizontal
- FE Letters - White Horizontal
- Brigadier Alarm
- Strobe Alarm
- Decals - Black Vertical
- Decals - Red Vertical
- Decals - White Vertical
- Decals - Black Horizontal
- Decals - Red Horizontal
- Decals - White Horizontal
- Commander Alarm
- Etched Lettering in Glass
- Engraved Lettering

<p>ACTIVAR INC. www.activar.com Construction Products Group</p>	Distributor:	Quantity:
	Contractor:	Approved By:
	Model Number:	Architect:
	Project:	Date:
HEADQUARTERS: 4450 WEST 78TH ST. CIRCLE, BLOOMINGTON, MN 55435-5416 • PH: 800-554-6077 • FAX: 952-835-2218 • E-MAIL: JL@JLINDUSTRIES.COM • WWW.ACTIVARCPG.COM ACPG WEST COAST (SAMSON PRODUCTS): COMMERCE, CA PH: 800-228-9489 FAX: 323-726-9068 • ACPG SOUTHEAST (THOMAS ENTERPRISES): FT. MEYERS, FL • PH: 239-693-7500 FAX: 239-693-7501		



Flat Trim and
1½" (3.8cm)
Return Trim

3"(7.65cm), 2½"(6.4cm),
4"(10.2cm) and 4½"(11.4cm)
Return Trim, Rolled Edge



WHI Test
Number:
• 631-021201
• 631-021202

* FOR APPLICABLE RESTRICTIONS, SEE THE **Fire-FX™** OPTION DETAIL AND SUBMITTAL SHEET AND THE INSTALLATION INSTRUCTIONS PROVIDED WITH THE PRODUCT.



JL INDUSTRIES
INCORPORATED

4450 W. 78th Street Circle, Bloomington, MN 55435
Phone: 952-835-6850 FAX: 952-835-2218
e-mail: jl@jlindustries.com • web site: www.jlindustries.com